

☆☆☆ USB Series ☆☆☆

P/N: U200FHA***

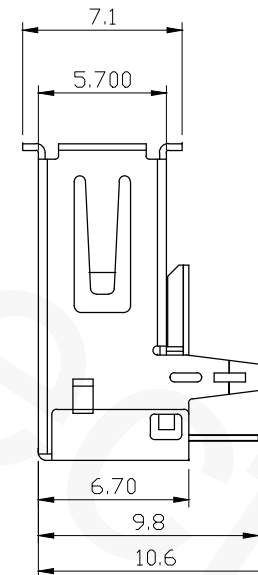
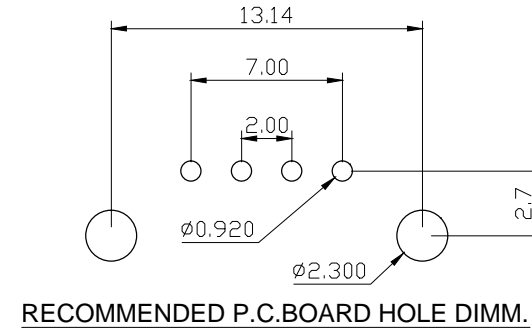
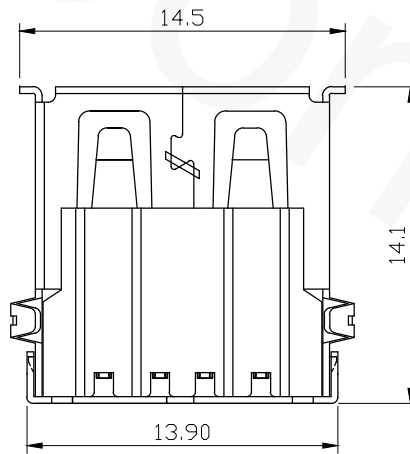
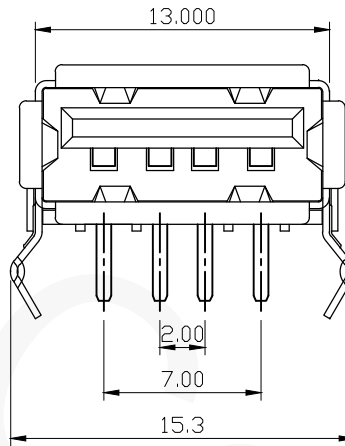
Material: PBT, UL 94V-0, White

Conductor: Brass, Gold-Flash

Part #: U200FHA***

**	Plating
0	Gold-Flash over 30u" Nickel Plated
15	15u" Gold over 50u" Nickel Plated
30	30u" Gold over 50u" Nickel Plated

*	Color
B	Black
W	White



RoHS Compliant



TEL: 886-2-86871898 FAX: 886-2-86872959
Mail: tceldh@gmail.com Web: http://www.cnj.tw/

TITLE

U200FHA***

DIMENSION TOLERANCE

.x ±0.15
.xx ±0.10
.xxx ±0.05

P/N	U200FHA***	CHECKED	David	UNIT	mm	DATE	2013/02/26
DRAWN	Michael	APPROVED	Lily	SCALE	1:1	REV	A

REVISIONS			
REV	DESCRIPTION	DATE	DRAWN
A			