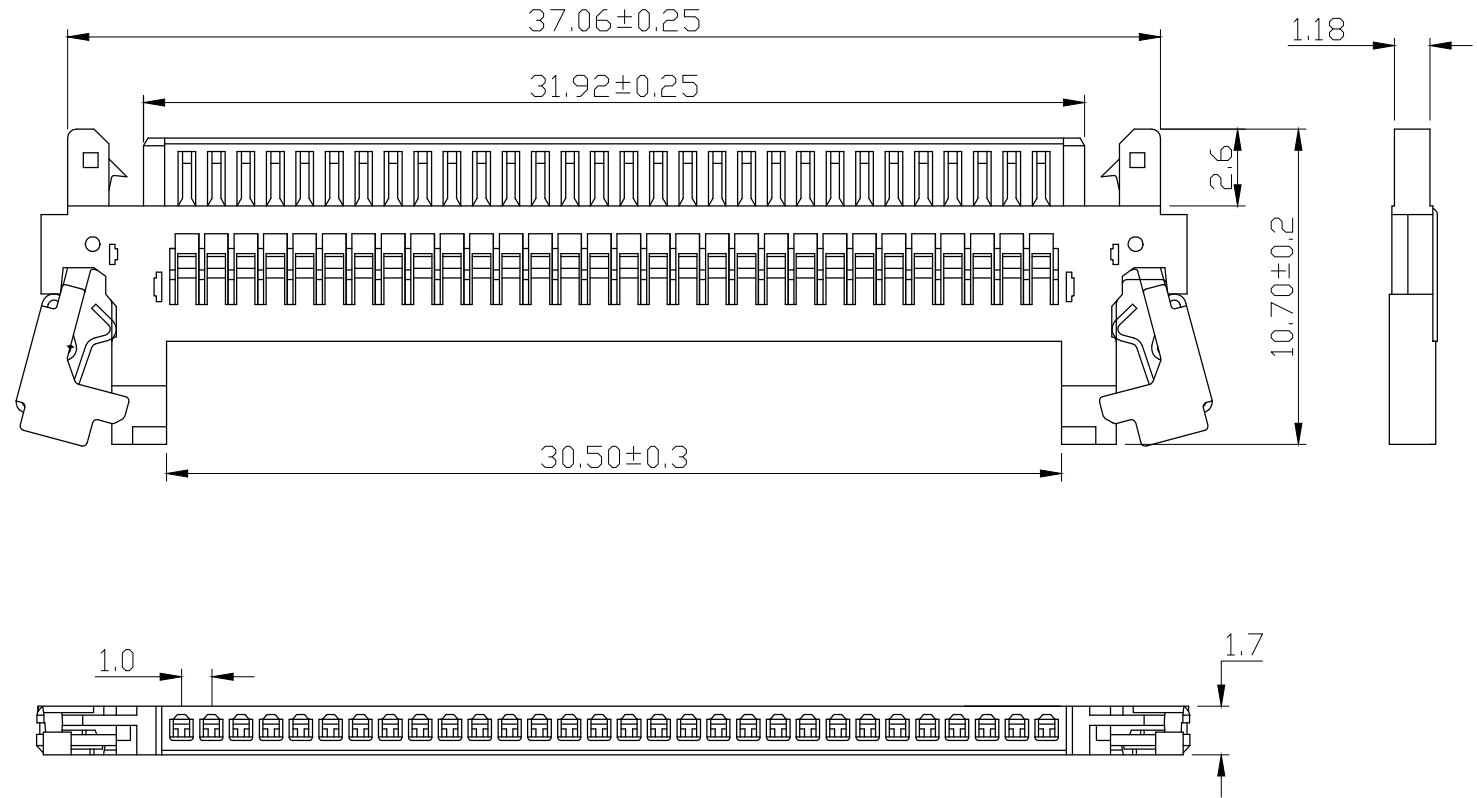


☆☆☆ **232 Series** ☆☆☆

P/N: CNT232C3000-02
 Material: Nylon 6/6, UL 94V-0, Nature
 Conductor: Brass
 Plating: Tin / GOLD-FLASH
 Available: 2~15 Pins
 Suitable With: CNT232T11A-02 Terminal

Current Rating: 1A AC,DC
 Voltage Rating: 200V AC,DC
 Withstanding Voltage: 500V AC/minute

REVISIONS			
REV	DESCRIPTION	DATE	DRAWN
A			



RoHS Compliant



TEL: 886-2-86871898 FAX: 886-2-86872959
 Mail: tceldh@gmail.com Web: http://www.cnj.tw/

TITLE		.039"(1.0mm) Single Row Housing						DIMENSION TOLERANCE	
								.x ±0.10	
								.xx ±0.05	
								.xxx ±0.02	
P/N	CNT232C3000-02	CHECKED	David	UNIT	mm	DATE	2010/07/29		
DRAWN	Michael	APPROVED	Lily	SCALE	1:1	REV	A		

☆☆☆ FPC Series ☆☆☆

P/N: F050H**T0S

Housing: High Temp. Thermoplastic, UL 94V-0, Natural

Latch: High Temp. Thermoplastic, UL 94V-0, Black

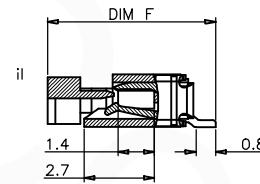
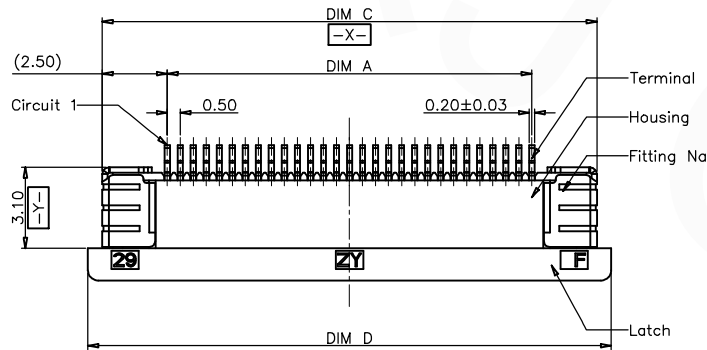
Terminal: Copper Alloy, Au/matt Tin Plated

Fitting Nail: Copper Alloy, matt Tin Plated

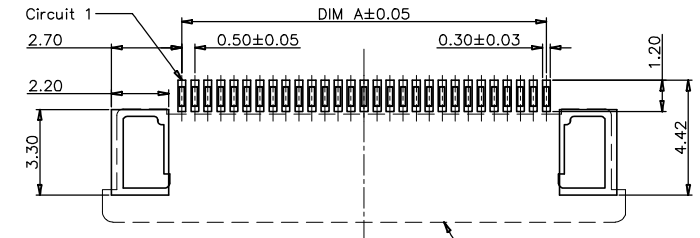
Available: 4~60P

REVISIONS			
REV	DESCRIPTION	DATE	DRAWN
A			

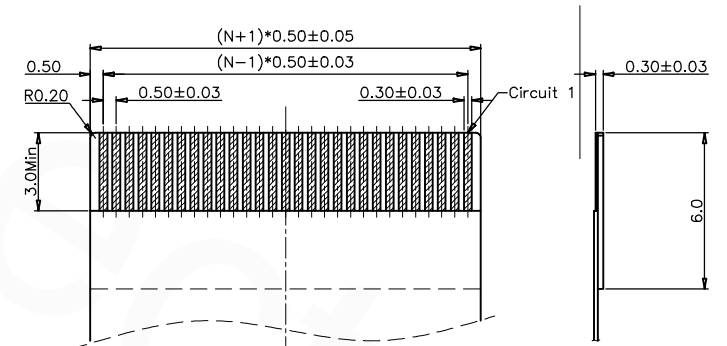
Circuitis	Dim. A	Dim. B	Dim. C	Dim. D	Dim. E	Dim. F
1 mPrH	0.5(N-3)+1	0.5(N-3)+2.1	0.5(N-3)+6	0.5(N-3)+7.1	5.20	6.45
H mPrM €	0.5(N-3)+1	0.5(N-3)+2.1	0.5(N-3)+6	0.5(N-3)+7.1	5.75	7.00



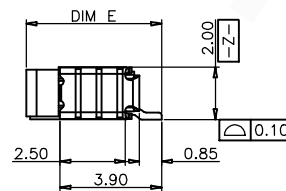
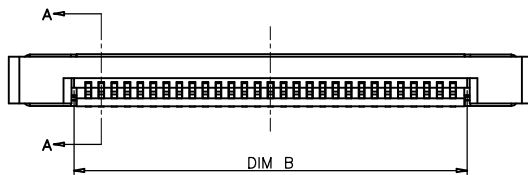
SECTION A-A
SCALE 1:1



RECOMMENDED P.C. BOARD HOLE DIMM.



RECOMMENDED FPC/FFC DIMM.



RoHS Compliant



TEL: 886-2-86871898 FAX: 886-2-86872959
Mail: tceldh@gmail.com Web: http://www.cnj.tw/

TITLE
.019"(0.5mm) FPC ZIF R/A Lower SMT Connector

DIMENSION TOLERANCE
.x ±0.10
.xx ±0.05
.xxx ±0.02

P/N	F050H**T0S	CHECKED	David	UNIT	mm	DATE	2013/02/26
DRAWN	Michael	APPROVED	Lily	SCALE	1:1	REV	A

☆☆☆ FPC Series ☆☆☆

P/N: F100H**T0S

Housing: High Temp. Thermoplastic, UL 94V-0, Natural

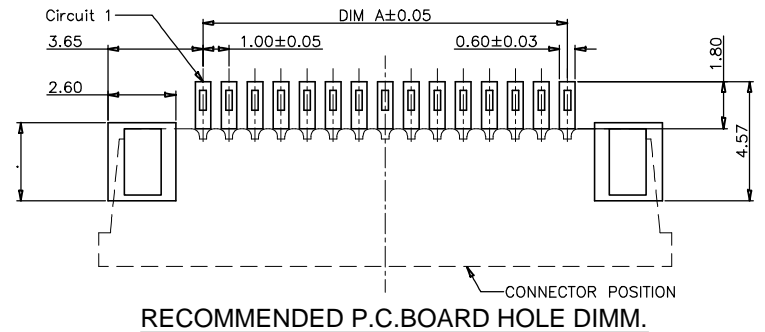
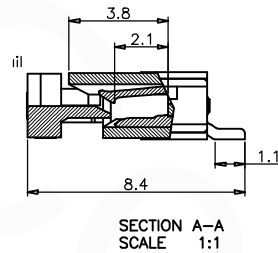
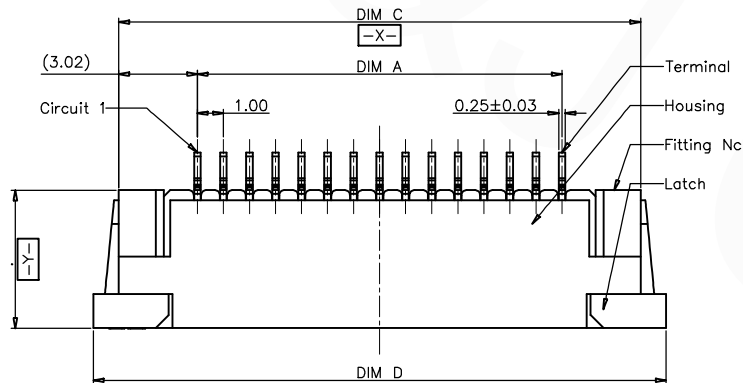
Latch: High Temp. Thermoplastic, UL 94V-0, Black

Terminal: Copper Alloy, Au/matt Tin Plated

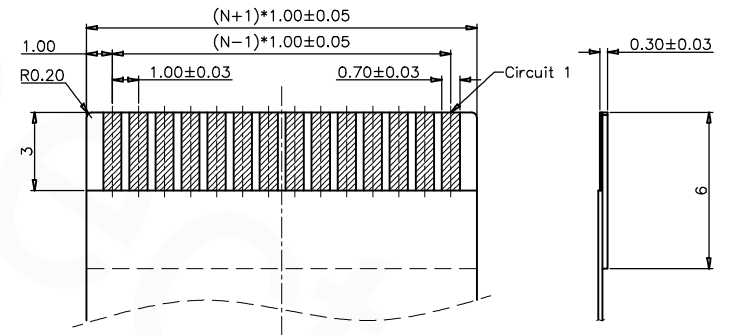
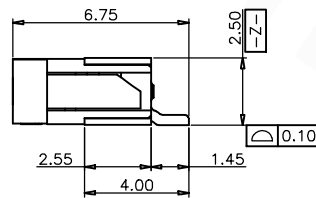
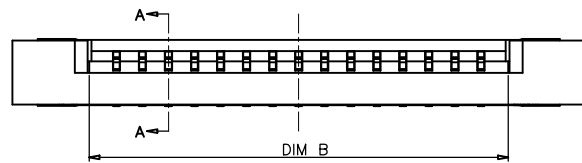
Fitting Nail: Copper Alloy, matt Tin Plated

Available: 4~30P

REVISIONS				
REV	DESCRIPTION	DATE	DRAWN	
A				
	Circuitis	Dim. A	Dim. B	Dim. C
	1 nPrHE	(N-3)+2	(N-3)+4.1	(N-3)+8.05
			Dim. D	(N-3)+10



RECOMMENDED P.C. BOARD HOLE DIMM.



RECOMMENDED FPC/FFC DIMM.

RoHS Compliant



TEL: 886-2-86871898 FAX: 886-2-86872959
Mail: tceldh@gmail.com Web: http://www.cnj.tw/

TITLE
.039"(1.0mm) FPC ZIF R/A Lower SMT Connector

DIMENSION TOLERANCE
.x ±0.10
.xx ±0.05
.xxx ±0.02

P/N	F100H**T0S	CHECKED	David	UNIT	mm	DATE	2013/02/26
DRAWN	Michael	APPROVED	Lily	SCALE	1:1	REV	A