

☆☆☆ **635 Series** ☆☆☆

P/N: W635V**T00

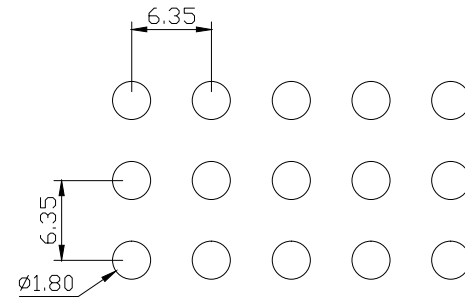
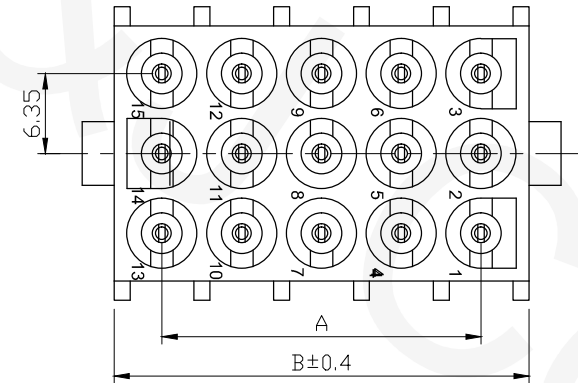
Material: Nylon 6/6, UL 94V-2, Nature

Conductor: Phosphor Bronze/Tin-Plated

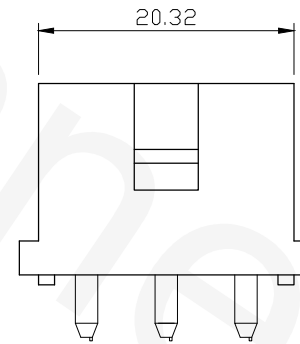
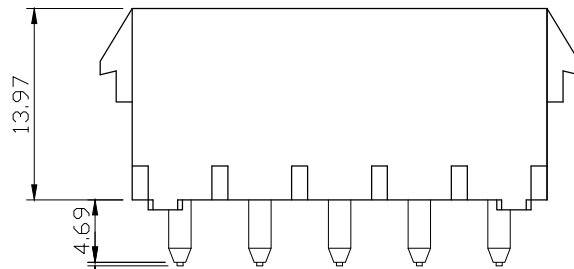
Available: 6~15P

Mate with H635

REVISIONS			
REV	DESCRIPTION	DATE	DRAWN
A			



RECOMMENDED P.C.BOARD HOLE DIMM.



0.25(Cut off Tab)

Circuitis	Dim. A	Dim. B
6	6.35	13.97
9	12.70	20.32
12	19.05	26.67
15	25.40	33.02

RoHS Compliant



TEL: 886-2-86871898 FAX: 886-2-86872959
Mail: tceldh@gmail.com Web: http://www.cnj.tw/

TITLE
 .250"(6.35mm) Wire to Board Vertical Triple Row Housing

DIMENSION TOLERANCE
 .x ±0.30 x° ±2°
 .xx ±0.20
 .xxx ±0.10

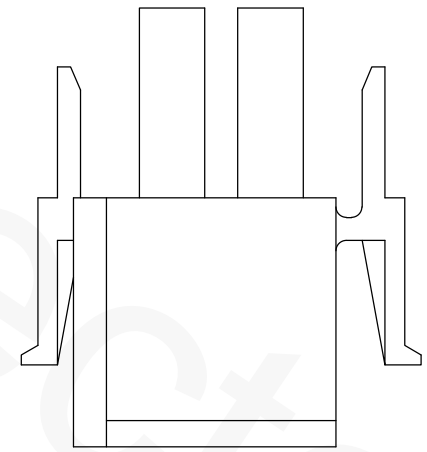
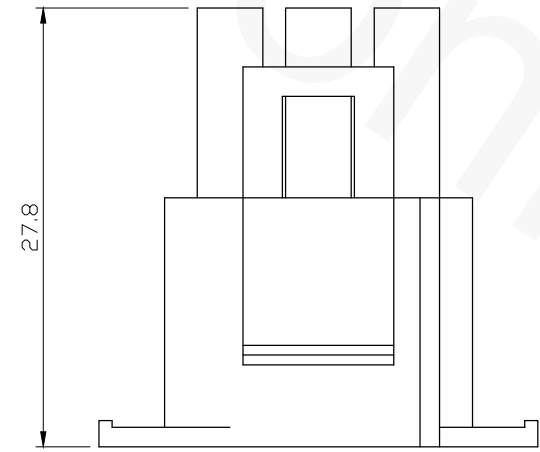
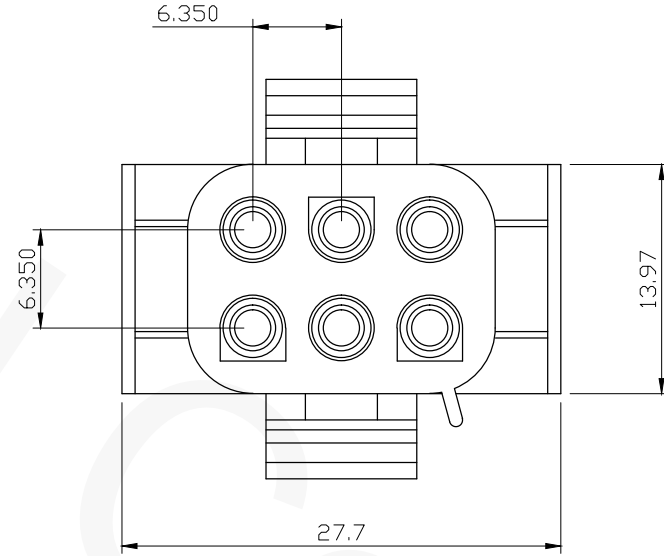
P/N	W635V**T00	CHECKED	David	UNIT	mm	DATE	2010/08/05
DRAWN	Michael	APPROVED	Lily	SCALE	1:1	REV	A

☆☆☆ **635 Series** ☆☆☆

P/N: H635M06000
 Material: Nylon 6/6, UL 94V-0/2, Nature
 Mate with H635F

Current Rating: 11A
 Voltage Rating: 600V
 Withstand Voltage: 5000V AC/Minute

REVISIONS			
REV	DESCRIPTION	DATE	DRAWN
A			



RoHS Compliant



TEL: 886-2-86871898 FAX: 886-2-86872959
 Mail: tceldh@gmail.com Web: http://www.cnj.tw/

TITLE
.250"(6.35mm) Wire to Wire Dual Row Male Housing

DIMENSION TOLERANCE	
.x	±0.15
.xx	±0.10
.xxx	±0.05

P/N	H635M06000	CHECKED	David	UNIT	mm	DATE	2010/12/01
DRAWN	Michael	APPROVED	Lily	SCALE	1:1	REV	A

☆☆☆ **635 Series** ☆☆☆

P/N: H635F06000

Material: Nylon 6/6, UL 94V-0/2, Nature
Mate with H635M

Current Rating: 11A

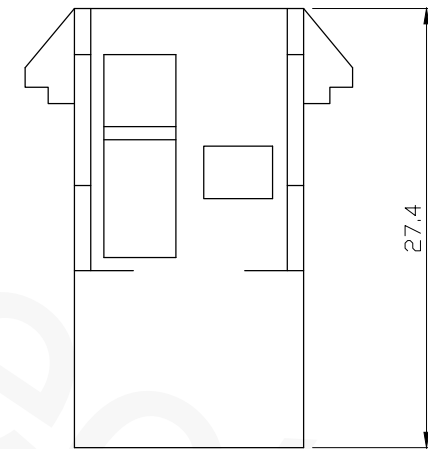
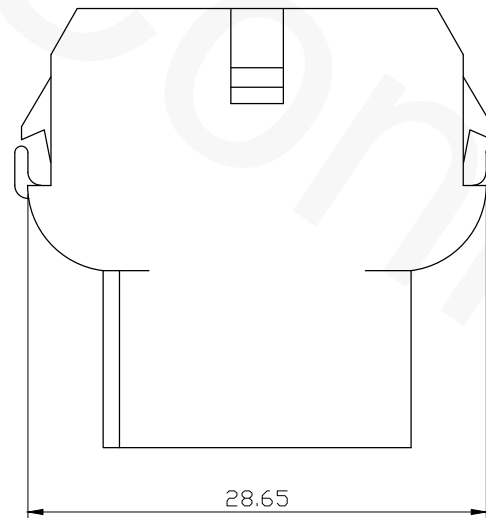
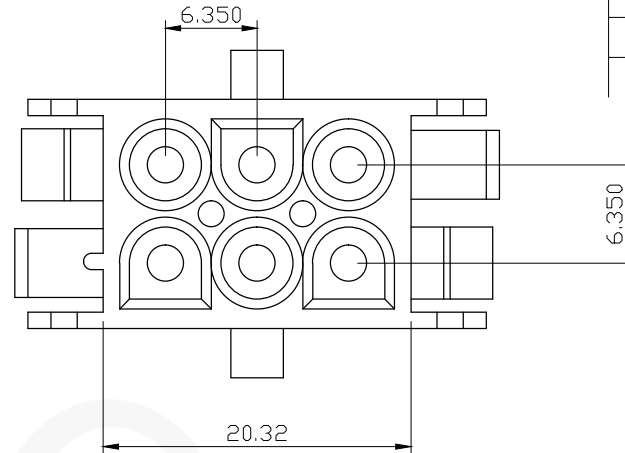
Voltage Rating: 600V

Withstand Voltage: 5000V AC/Minute

RoHS Compliant

RoHS Compliant

REVISIONS			
REV	DESCRIPTION	DATE	DRAWN
A			



RoHS Compliant



TEL: 886-2-86871898 FAX: 886-2-86872959
Mail: tceldh@gmail.com Web: http://www.cnj.tw/

TITLE
.250"(6.35mm) Wire to Wire Dual Row Female Housing

DIMENSION TOLERANCE	
.x	±0.15
.xx	±0.10
.xxx	±0.05

P/N	H635F06000	CHECKED	David	UNIT	mm	DATE	2010/08/03
DRAWN	Michael	APPROVED	Lily	SCALE	1:1	REV	A