

☆☆☆ 620 Series ☆☆☆

P/N: H620F030E1

Material: Nylon, UL 94V-0, White

Accepts T620BF0T00

Mate with H620M

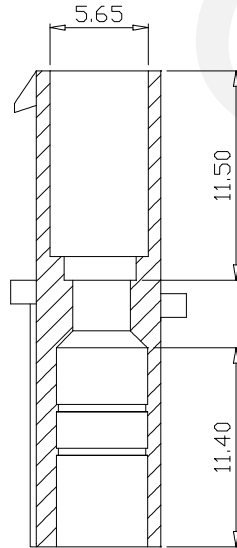
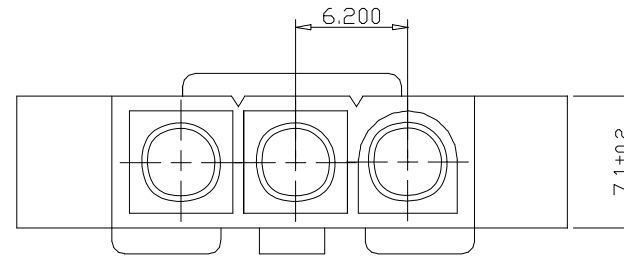
Current Rating: 5A AC/DC

Voltage Rating: 250V AC/DC

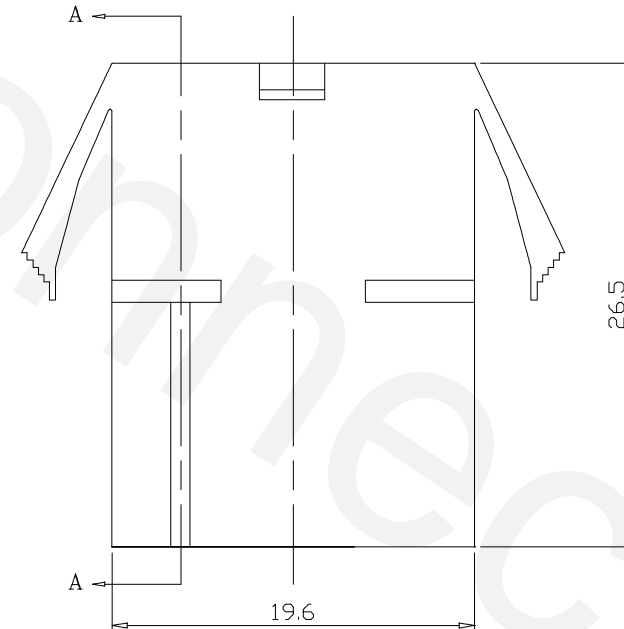
Contact Resistance: 20mΩ Max.

Insulation Resistance: 1000MΩ Min.

Withstanding Voltage: 1500V AC/minute



A-A



RoHS Compliant



TEL: 886-2-86871898 FAX: 886-2-86872959
 Mail: tceldh@gmail.com Web: http://www.cnj.tw/

TITLE
 .244"(6.2mm) Wire to Wire Female Housing with Ears

DIMENSION TOLERANCE
 .x ±0.30 x° ±2°
 .xx ±0.20
 .xxx ±0.10

P/N	H620F030E1	CHECKED	David	UNIT	mm	DATE	2010/11/26
DRAWN	Michael	APPROVED	Lily	SCALE	1:1	REV	A

☆☆☆ **620 Series** ☆☆☆

P/N: H620F02001

Material: Nylon, UL 94V-0, White

Accepts T620BF0T00

Mate with H620M

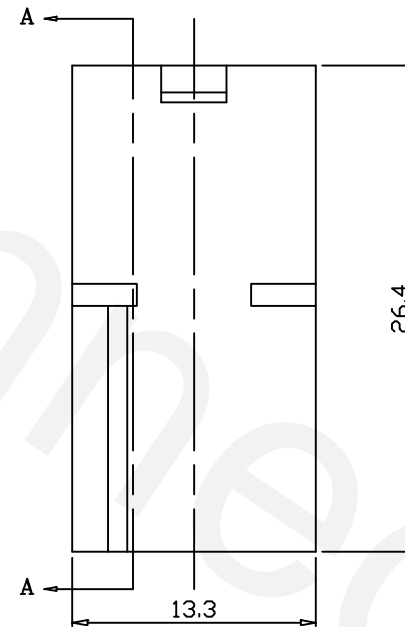
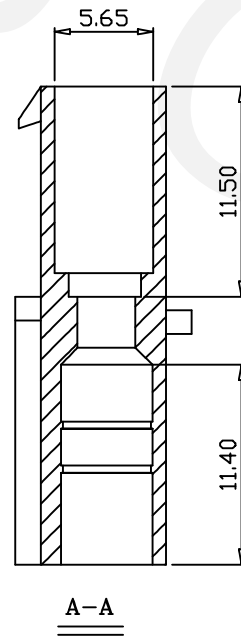
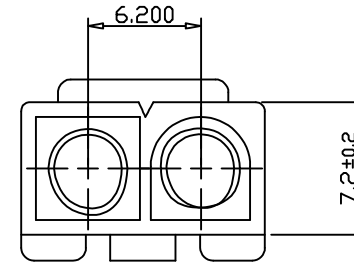
Current Rating: 5A AC/DC

Voltage Rating: 250V AC/DC

Contact Resistance: 20mΩ Max.

Insulation Resistance: 1000MΩ Min.

Withstanding Voltage: 1500V AC/minute



RoHS Compliant



TEL: 886-2-86871898 FAX: 886-2-86872959
 Mail: tceldh@gmail.com Web: <http://www.cnj.tw/>

TITLE

.244"(6.2mm) Wire to Wire Female Housing

DIMENSION TOLERANCE

.x ±0.30 x° ±2°
 .xx ±0.20
 .xxx ±0.10

P/N	H620F02001	CHECKED	David	UNIT	mm	DATE	2010/11/26
DRAWN	Michael	APPROVED	Lily	SCALE	1:1	REV	A

☆☆☆ 620 Series ☆☆☆

P/N: H620M02001

Material: Nylon, UL 94V-0, White

Accepts T620BM0T00

Mate with H620F

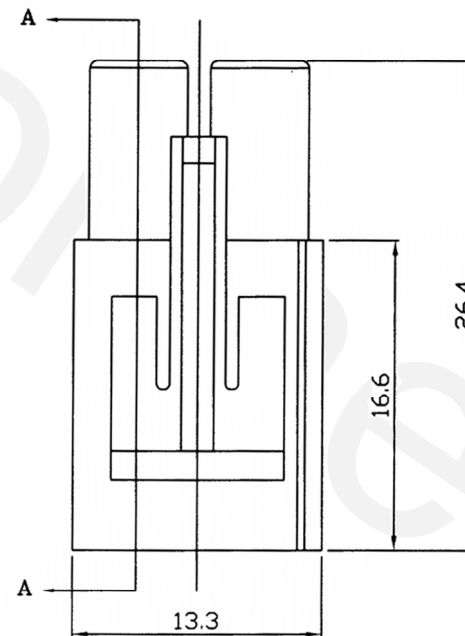
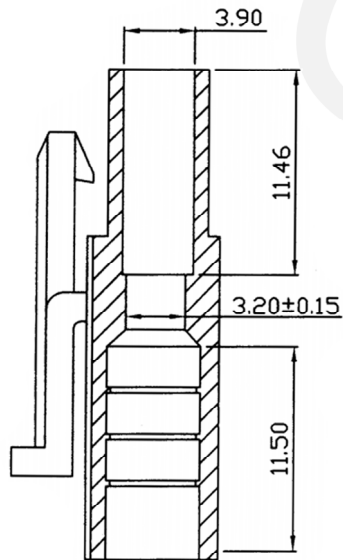
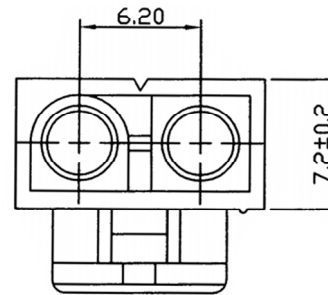
Current Rating: 5A AC/DC

Voltage Rating: 250V AC/DC

Contact Resistance: 20mΩ Max.

Insulation Resistance: 1000MΩ Min.

Withstanding Voltage: 1500V AC/minute



RoHS Compliant

A-A



C&J Connector

TEL: 886-2-86871898 FAX: 886-2-86872959
 Mail: tceldh@gmail.com Web: http://www.cnj.tw/

TITLE

.244"(6.2mm) Wire to Wire Male Housing with Lock

DIMENSION TOLERANCE

.x ±0.30 x° ±2°
 .xx ±0.20
 .xxx ±0.10

P/N	H620M02001	CHECKED	David	UNIT	mm	DATE	2010/11/26
DRAWN	Michael	APPROVED	Lily	SCALE	1:1	REV	A

☆☆☆ **620 Series** ☆☆☆

P/N: H620M03001

Material: Nylon, UL 94V-0, White

Accepts T620BM0T00

Mate with H620F

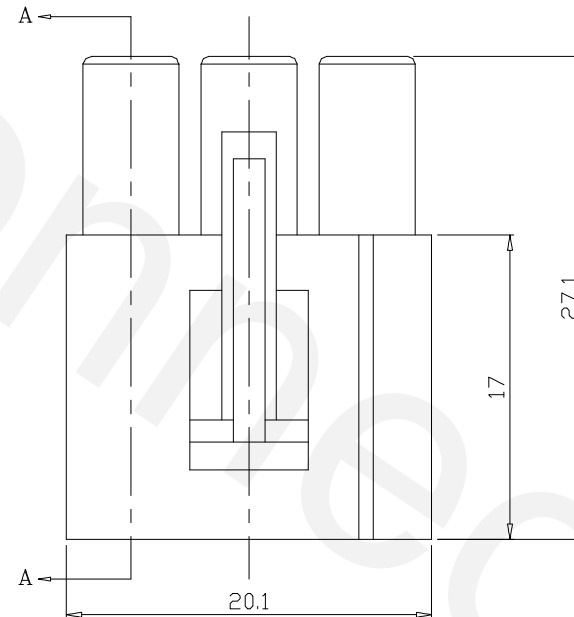
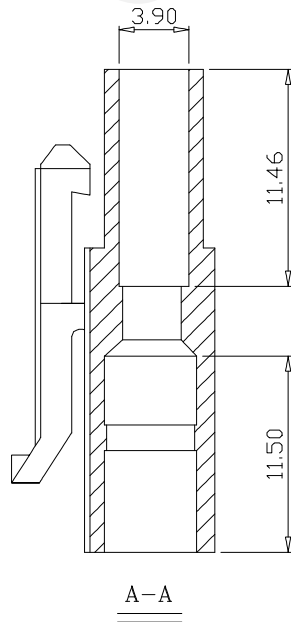
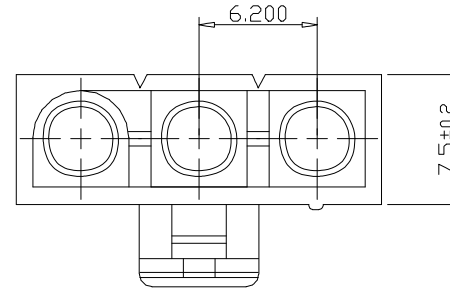
Current Rating: 5A AC/DC

Voltage Rating: 250V AC/DC

Contact Resistance: 20mΩ Max.

Insulation Resistance: 1000MΩ Min.

Withstanding Voltage: 1500V AC/minute



RoHS Compliant



TEL: 886-2-86871898 FAX: 886-2-86872959
 Mail: tceldh@gmail.com Web: http://www.cnj.tw/

TITLE

.244"(6.2mm) Wire to Wire Male Housing with Lock

DIMENSION TOLERANCE

.x ±0.30 x° ±2°
 .xx ±0.20
 .xxx ±0.10

P/N	H620M03001	CHECKED	David	UNIT	mm	DATE	2010/11/26
DRAWN	Michael	APPROVED	Lily	SCALE	1:1	REV	A

☆☆☆ 620 Series ☆☆☆

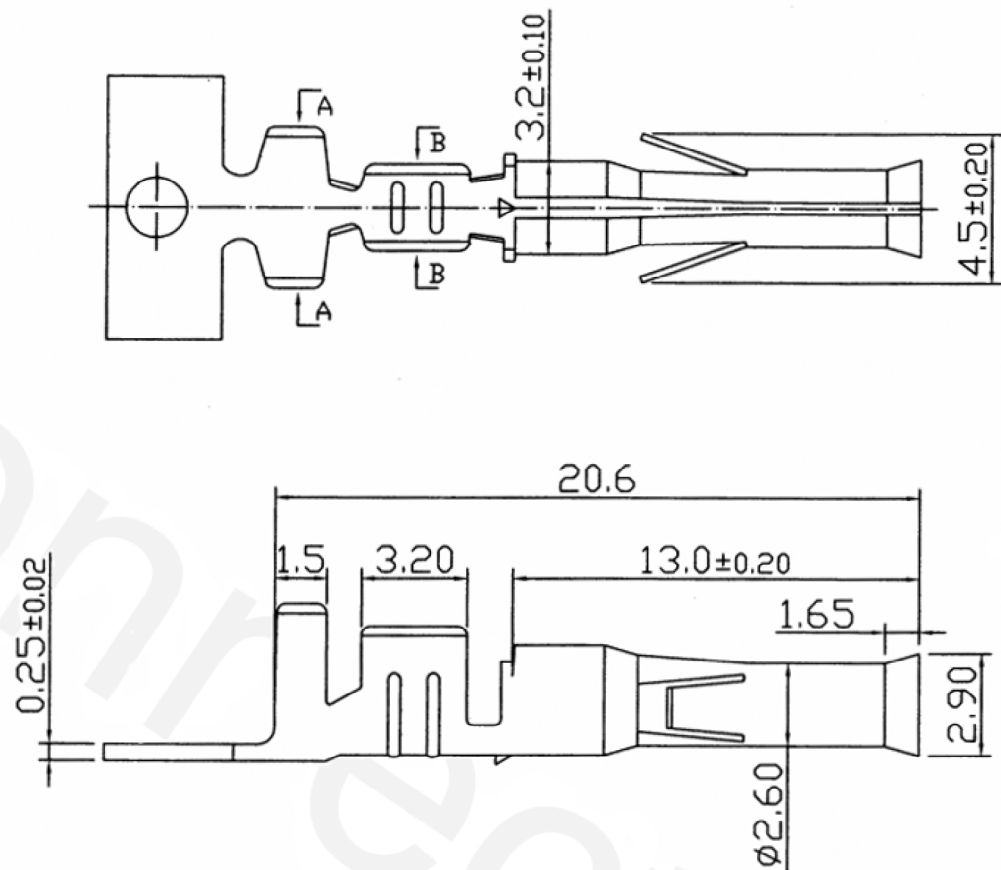
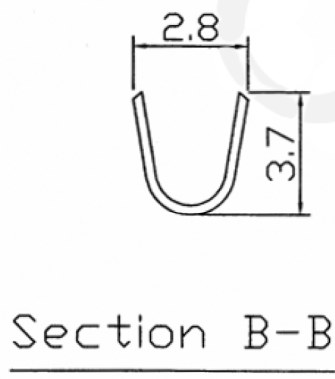
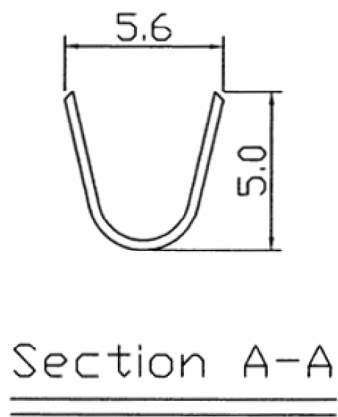
P/N: T620BF0T00

Conductor: Brass, Tin-Plated

Mate with H620F

Wire Range: AWG#14~18

Packing: 4k pcs/reel



RoHS Compliant



TEL: 886-2-86871898 FAX: 886-2-86872959
 Mail: tceldh@gmail.com Web: http://www.cnj.tw/

TITLE

.244"(6.2mm) Wire to Wire Female Terminal

DIMENSION TOLERANCE

.x ±0.30 x° ±2°
 .xx ±0.20
 .xxx ±0.10

P/N	T620BF0T00	CHECKED	David	UNIT	mm	DATE	2010/11/26
DRAWN	Michael	APPROVED	Lily	SCALE	1:1	REV	A

☆☆☆ 620 Series ☆☆☆

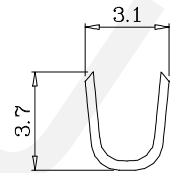
P/N: T620BM0T00

Conductor: Brass, Tin-Plated

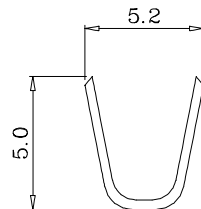
Mate with H620M

Wire Range: AWG#14~18

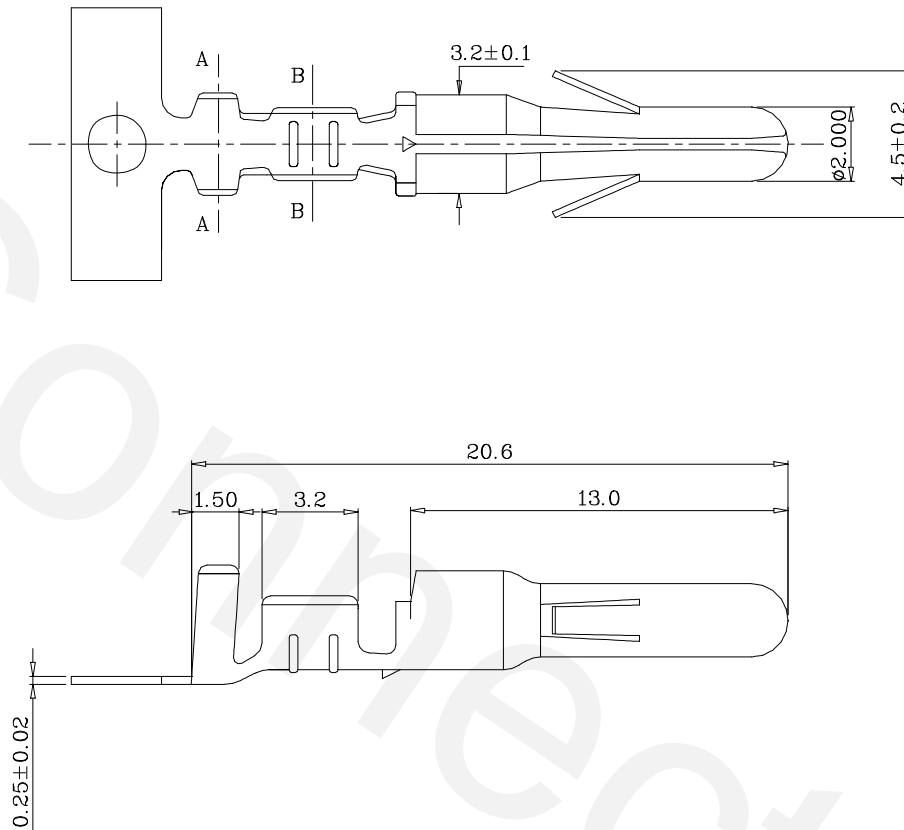
Packing: 4k pcs/reel



Section B-B



Section A-A



RoHS Compliant



C&J Connector

TEL: 886-2-86871898 FAX: 886-2-86872959
 Mail: tceldh@gmail.com Web: <http://www.cnj.tw/>

TITLE

.244"(6.2mm) Wire to Wire Female Terminal

DIMENSION TOLERANCE

.x ±0.30 x° ±2°
 .xx ±0.20
 .xxx ±0.10

P/N	T620BM0T00	CHECKED	David	UNIT	mm	DATE	2010/11/26
DRAWN	Michael	APPROVED	Lily	SCALE	1:1	REV	A