

☆☆☆ **540 Series** ☆☆☆

P/N: F540B0260B

Material: PBT with 30%GF, UL 94V-0

Conductor: Bronze, Gold-Flash

Current Rating: 3A AC/DC

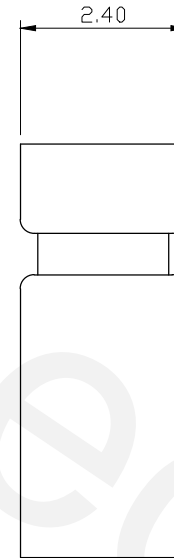
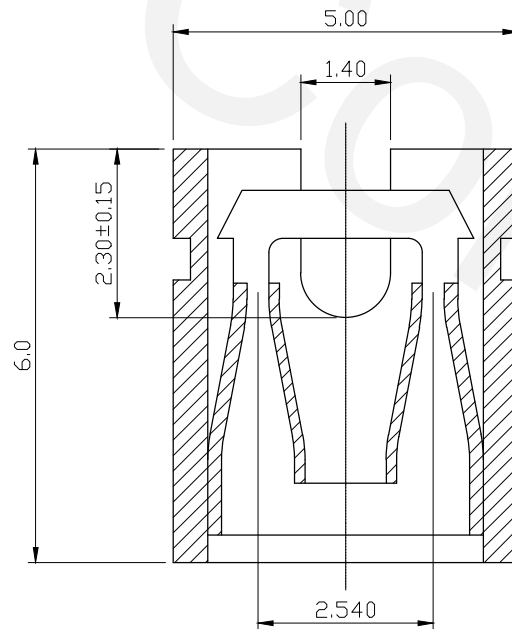
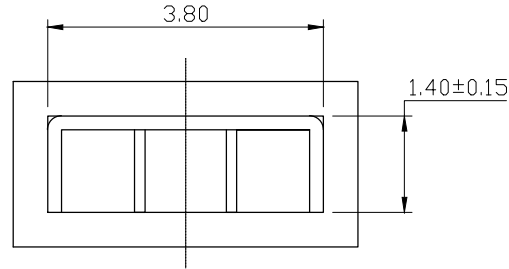
Voltage Rating: 250V AC/DC

Withstand Voltage: 1000V AC/minute

Contact Resistance: 20mΩ

Insulation Resistance: 1000MΩ

REVISIONS			
REV	DESCRIPTION	DATE	DRAWN
A	material changing update	2013/05/29	Mike



RoHS Compliant



TEL: 886-2-86871898 FAX: 886-2-86872959
 Mail: tceldh@gmail.com Web: http://www.cnj.tw/

TITLE

.100"(2.54mm) Mini Jumper

DIMENSION TOLERANCE

.x ±0.30 x° ±2°
 .xx ±0.20
 .xxx ±0.10

P/N	F540B0260B	CHECKED	David	UNIT	mm	DATE	2010/11/26
DRAWN	Michael	APPROVED	Lily	SCALE	1:1	REV	A

☆☆☆ 540 Series ☆☆☆

P/N: F540B0265B

Material: PBT with 30%GF, UL 94V-0

Conductor: Bronze, Gold-Flash

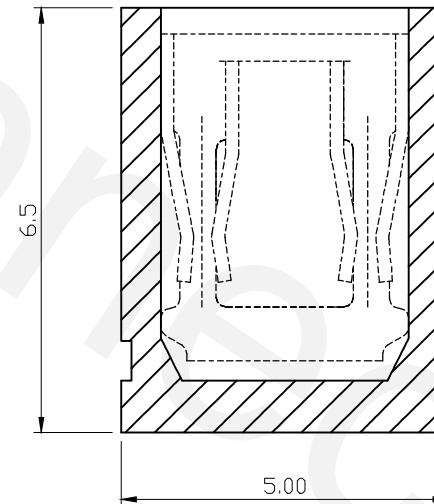
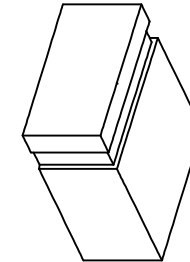
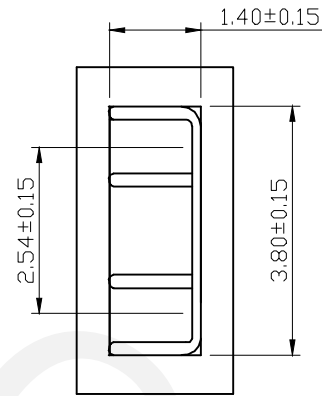
Current Rating: 3A AC/DC

Voltage Rating: 250V AC/DC

Withstand Voltage: 1000V AC/minute

Contact Resistance: 20mΩ

Insulation Resistance: 1000MΩ



REVISIONS			
REV	DESCRIPTION	DATE	DRAWN
A	material changing update	2013/05/29	Mike

RoHS Compliant



TEL: 886-2-86871898 FAX: 886-2-86872959
 Mail: tceldh@gmail.com Web: http://www.cnj.tw/

TITLE

.100"(2.54mm) Mini Jumper

DIMENSION TOLERANCE

.x ±0.30 x° ±2°
 .xx ±0.20
 .xxx ±0.10

P/N	F540B0265B	CHECKED	David	UNIT	mm	DATE	2010/11/26
DRAWN	Michael	APPROVED	Lily	SCALE	1:1	REV	A