

A

B

C

D

E

F

☆☆☆ 512 Series ☆☆☆

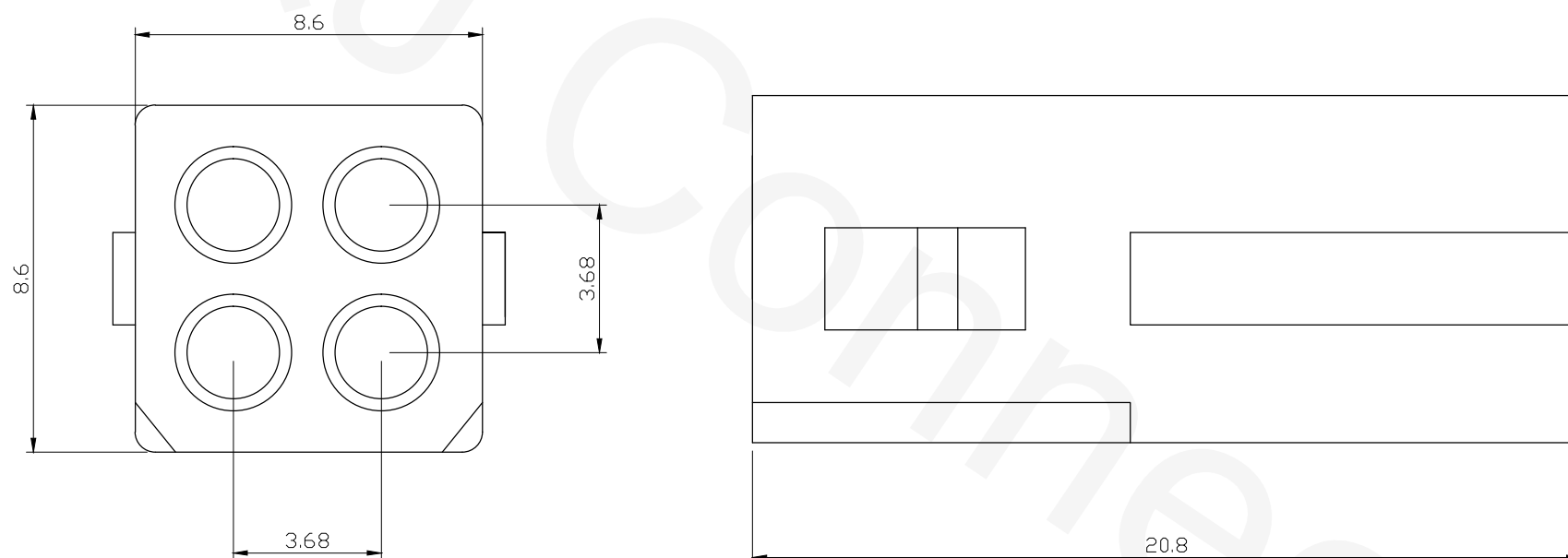
P/N: H512M04000

Material: Nylon 6/6, UL 94V-2, Natural

Mate with H512F

REVISIONS

| REV | DESCRIPTION | DATE | DRAWN |
|-----|-------------|------|-------|
| A | | | |



RoHS Compliant



C&J Connector

TEL: 886-2-86871898 FAX: 886-2-86872959
 Mail: tceldh@gmail.com Web: <http://www.cnj.tw/>

TITLE

.062"(1.58mm) Wire to Wire Male Housing

DIMENSION TOLERANCE

.x ±0.30 x° ±2°

.xx ±0.20

.xxx ±0.10

| | | | | | | | |
|-------|------------|----------|-------|-------|-----|------|------------|
| P/N | H512M04000 | CHECKED | David | UNIT | mm | DATE | 2010/08/13 |
| DRAWN | Michael | APPROVED | Lily | SCALE | 1:1 | REV | A |

A

B

C

D

E

F

A

B

C

D

E

F

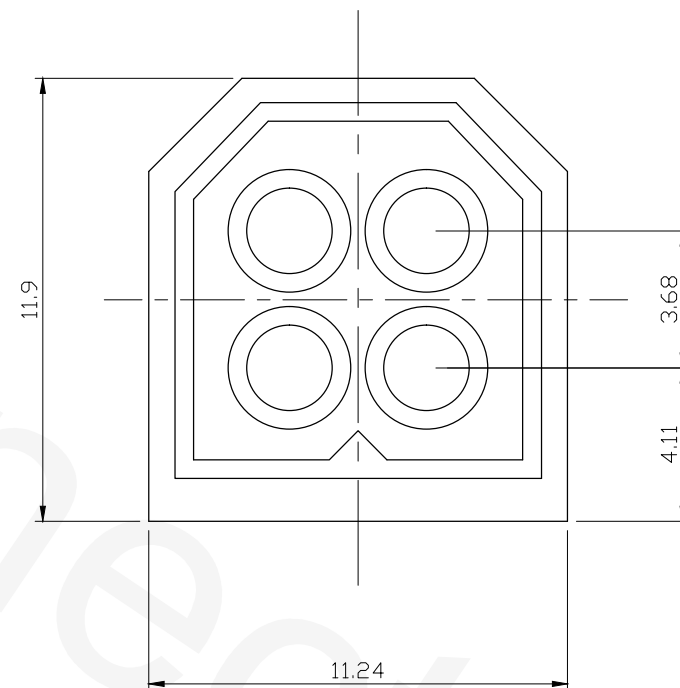
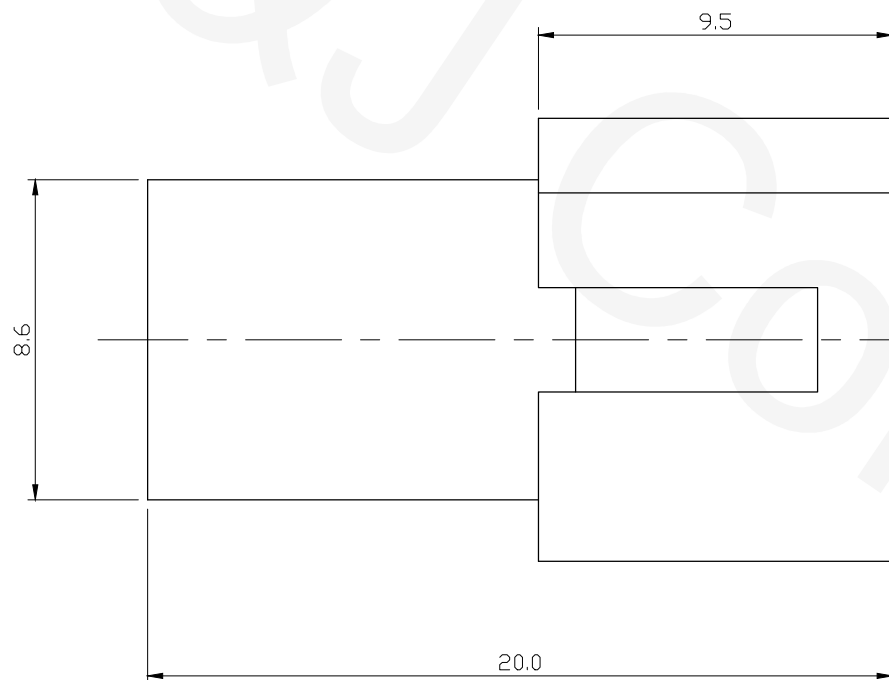
☆☆☆ 512 Series ☆☆☆

P/N: H512F04002

Material: Nylon 6/6, UL 94V-2, Natural

Mate with W512M

| REVISIONS | | | |
|-----------|-------------|------|-------|
| REV | DESCRIPTION | DATE | DRAWN |
| A | | | |



RoHS Compliant



TEL: 886-2-86871898 FAX: 886-2-86872959
 Mail: tceldh@gmail.com Web: <http://www.cnj.tw/>

TITLE

.062"(1.58mm) Wire to Wire Female Housing

DIMENSION TOLERANCE

.x ±0.30 x° ±2°

.xx ±0.20

.xxx ±0.10

| | | | | | | | |
|-------|------------|----------|-------|-------|-----|------|------------|
| P/N | H512F04002 | CHECKED | David | UNIT | mm | DATE | 2010/08/13 |
| DRAWN | Michael | APPROVED | Lily | SCALE | 1:1 | REV | A |

A

B

C

D

E

F

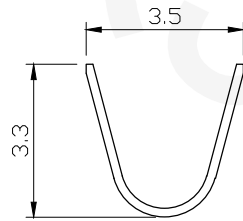
☆☆☆ 512 Series ☆☆☆

P/N: T512BF0T00

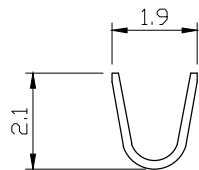
Conductor: Brass/ Tin-Plated

Thickness: 0.2mm

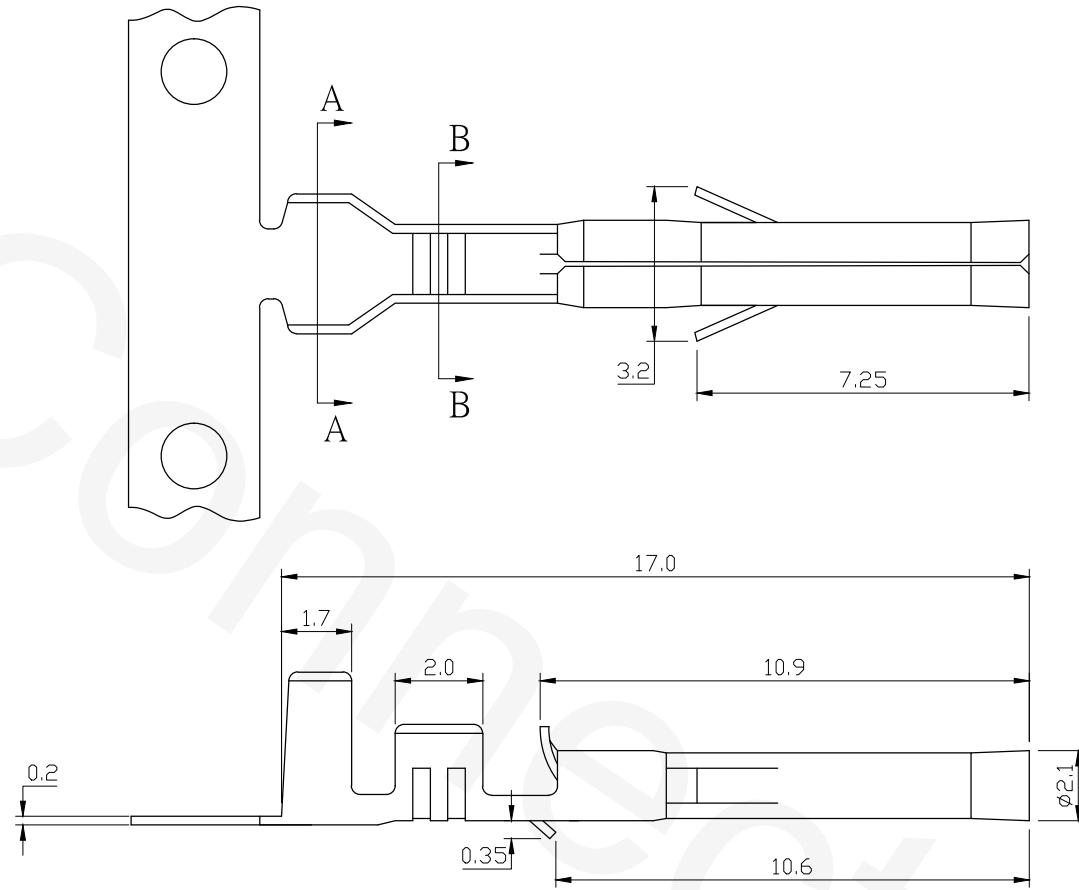
| REVISIONS | | | |
|-----------|-------------|------|-------|
| REV | DESCRIPTION | DATE | DRAWN |
| A | | | |



Section A-A



Section B-B



RoHS Compliant



TEL: 886-2-86871898 FAX: 886-2-86872959
 Mail: tceldh@gmail.com Web: http://www.cnj.tw/

TITLE

.062"(1.58mm) Wire to Wire Crimp Terminal

DIMENSION TOLERANCE

.x ±0.30 x° ±2°
 .xx ±0.20
 .xxx ±0.10

| | | | | | | | |
|-------|------------|----------|-------|-------|-----|------|------------|
| P/N | T512BF0T00 | CHECKED | David | UNIT | mm | DATE | 2010/08/05 |
| DRAWN | Michael | APPROVED | Lily | SCALE | 1:1 | REV | A |

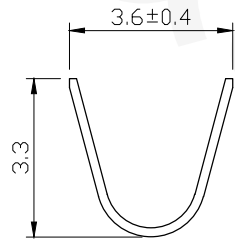
☆☆☆ 512 Series ☆☆☆

P/N: T512BM0T00

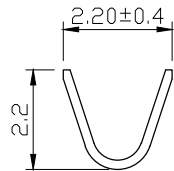
Conductor: Brass/ Tin-Plated

Thickness: 0.2mm

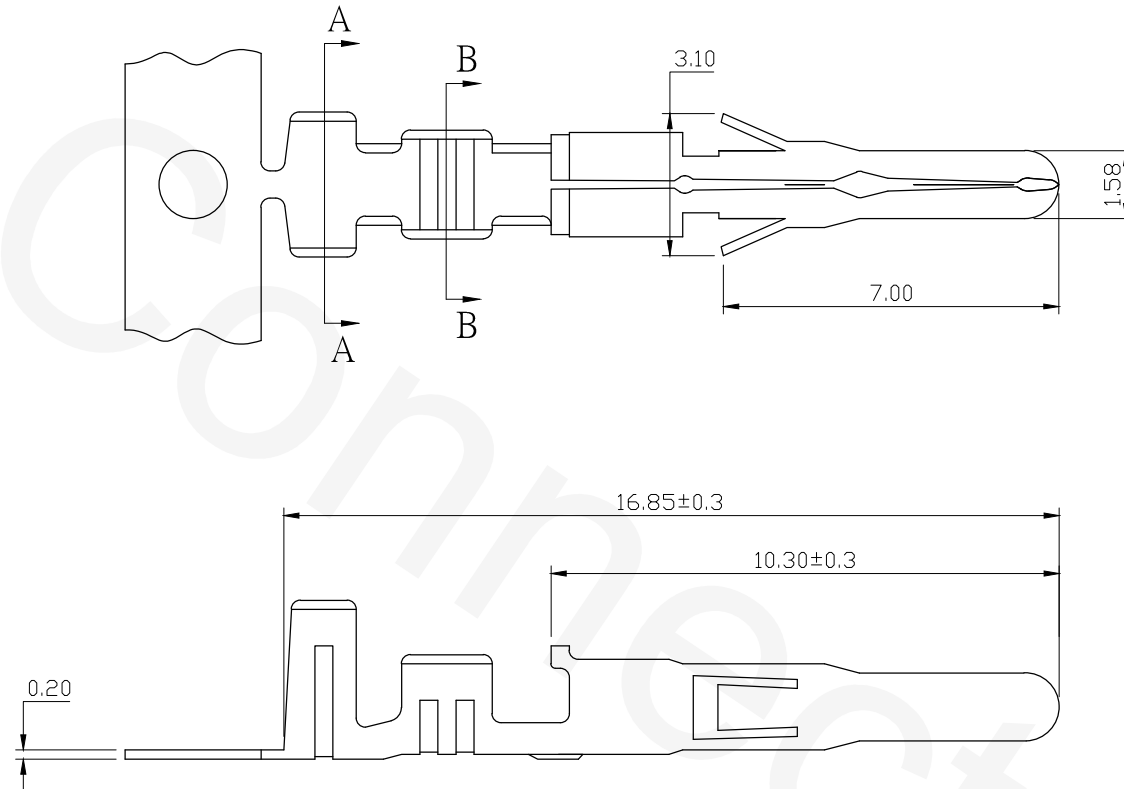
| REVISIONS | | | |
|-----------|-------------|------|-------|
| REV | DESCRIPTION | DATE | DRAWN |
| A | | | |



Section A-A



Section B-B



RoHS Compliant



TEL: 886-2-86871898 FAX: 886-2-86872959
Mail: tceldh@gmail.com Web: http://www.cnj.tw/

TITLE

.062"(1.58mm) Wire to Wire Crimp Terminal

DIMENSION TOLERANCE

.x ±0.30 x° ±2°
.xx ±0.20
.xxx ±0.10

| | | | | | | | |
|-------|------------|----------|-------|-------|-----|------|------------|
| P/N | T512BM0T00 | CHECKED | David | UNIT | mm | DATE | 2010/08/05 |
| DRAWN | Michael | APPROVED | Lily | SCALE | 1:1 | REV | A |