

☆☆☆ **508 Series** ☆☆☆

P/N: H508F020E0

Material: Nylon 6/6, UL 94V-2, Natural
Mate with H508M

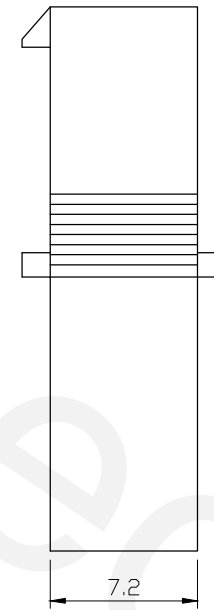
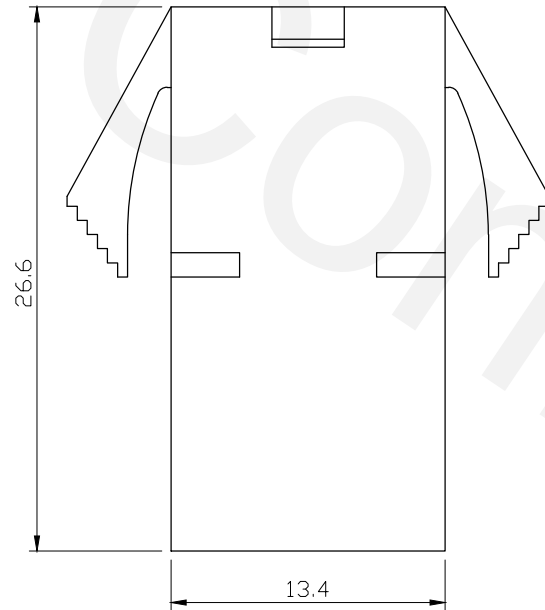
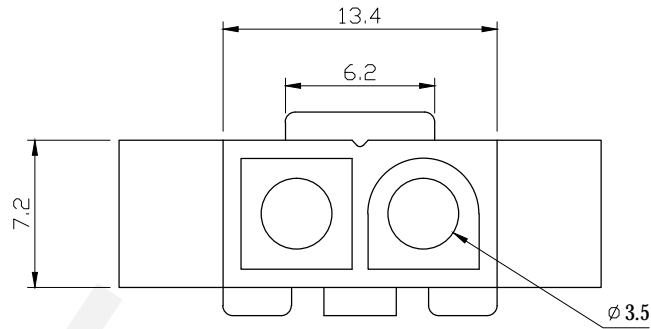
Current Rating: 7A AC/DC

Current Voltage: 250V AC/DC

Contact Resistance: 10mΩ Max.

Insulation Resistance: 1000MΩ Min.

Withstanding Voltage: 1500V AC/minute



REVISIONS			
REV	DESCRIPTION	DATE	DRAWN
A			

RoHS Compliant



TEL: 886-2-86871898 FAX: 886-2-86872959
Mail: tceldh@gmail.com Web: http://www.cnj.tw/

TITLE

.244"(6.2mm) Wire to Wire Female Hosing

DIMENSION TOLERANCE

.x ±0.30 x° ±2°
.xx ±0.20
.xxx ±0.10

P/N	H508F020E0	CHECKED	David	UNIT	mm	DATE	2010/08/30
DRAWN	Michael	APPROVED	Lily	SCALE	1:1	REV	A

☆☆☆ 508 Series ☆☆☆

P/N: H508F02000

Material: Nylon 6/6, UL 94V-2, Natural
Mate with H508M

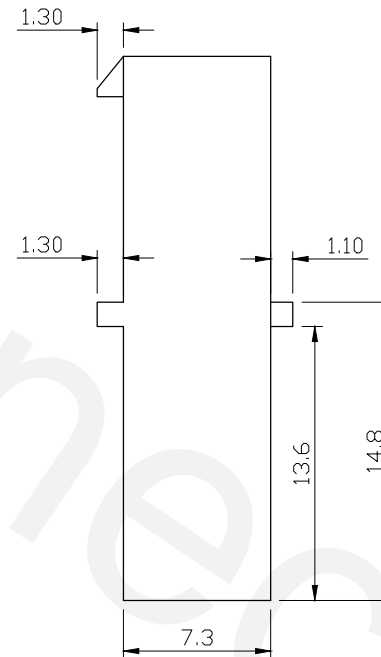
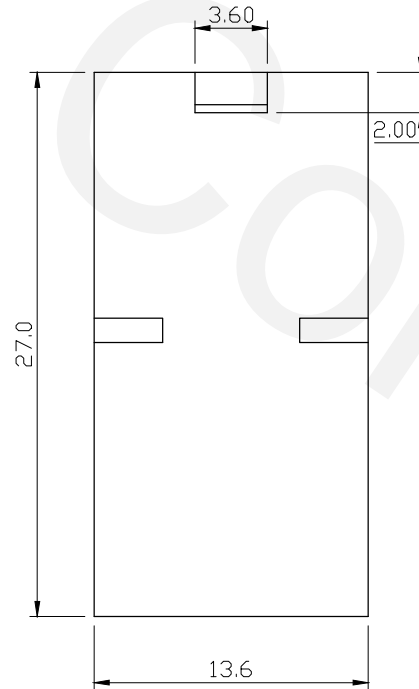
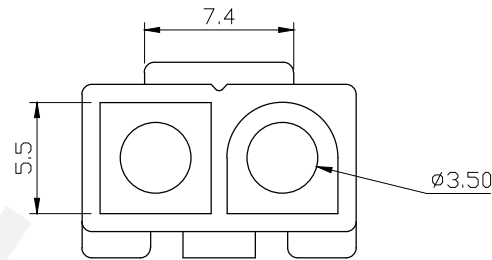
Current Rating: 7A AC/DC

Current Voltage: 250V AC/DC

Contact Resistance: 10mΩ Max.

Insulation Resistance: 1000MΩ Min.

Withstanding Voltage: 1500V AC/minute



REVISIONS			
REV	DESCRIPTION	DATE	DRAWN
A			

RoHS Compliant



TEL: 886-2-86871898 FAX: 886-2-86872959
Mail: tceldh@gmail.com Web: http://www.cnj.tw/

TITLE

.244"(6.2mm) Wire to Wire Female Hosing

DIMENSION TOLERANCE

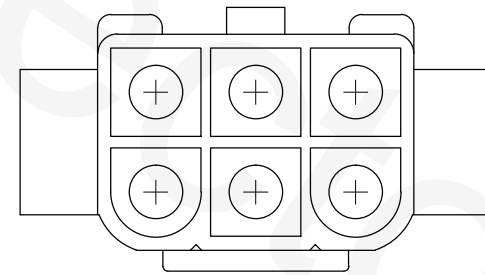
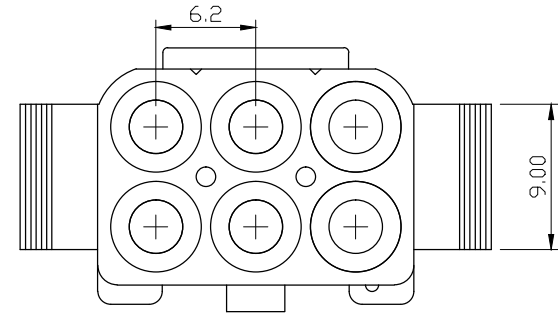
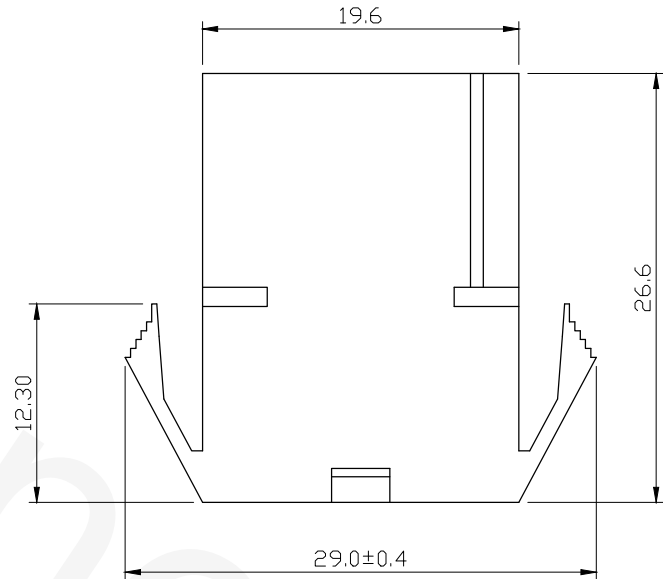
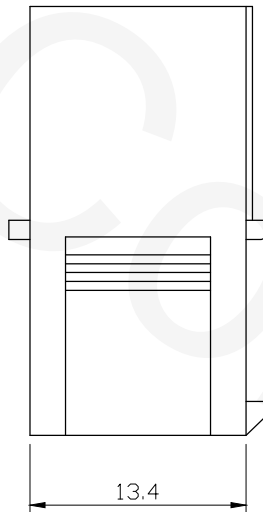
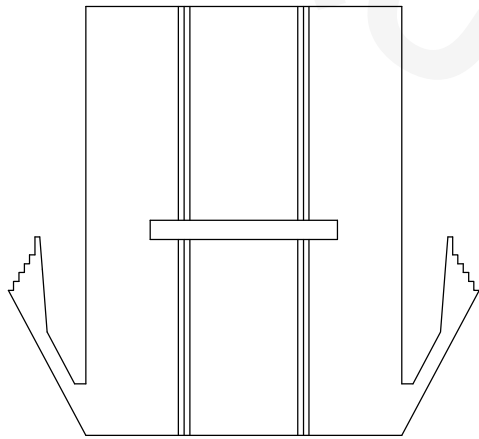
.x ±0.30 x° ±2°
.xx ±0.20
.xxx ±0.10

P/N	H508F02000	CHECKED	David	UNIT	mm	DATE	2010/08/30
DRAWN	Michael	APPROVED	Lily	SCALE	1:1	REV	A

☆☆☆ 508 Series ☆☆☆

P/N: H508F06000

Material: Nylon 6/6, UL 94V-2, White



RoHS Compliant

@ <http://www.cnj.tw/>

TITLE

.244"(6.2mm) Wire to Wire Female Housing

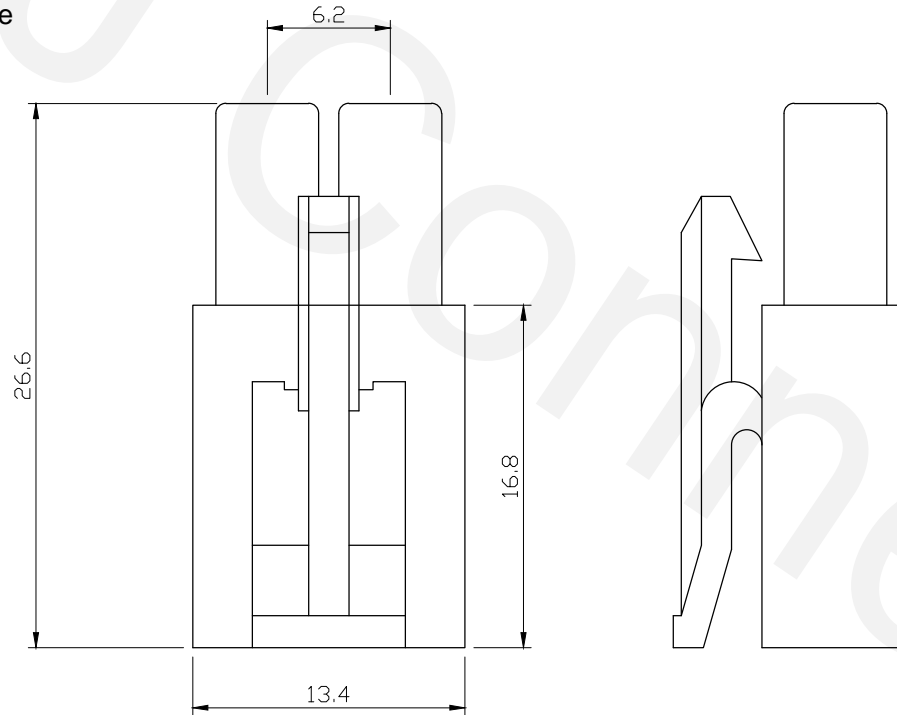
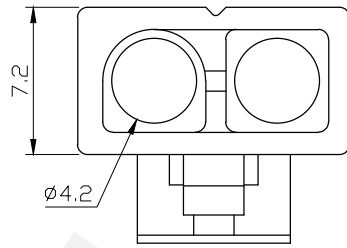
.x ±0.30 x° ±2°
.xx ±0.20 DIMENSION
.xxx ±0.10 TOLERANCE

P/N	H508F06000	CHECKED	David	UNIT	mm	DATE	2013/10/20
DRAWN	Michael	APPROVED	Lily	SCALE	1:1	REV	A

☆☆☆ **508 Series** ☆☆☆

P/N: H508M02000
 Material: Nylon 6/6, UL 94V-2, Natural
 Mate with H508F02

Current Rating: 7A AC/DC
 Current Voltage: 250V AC/DC
 Contact Resistance: 10mΩ Max.
 Insulation Resistance: 1000MΩ Min.
 Withstanding Voltage: 1500V AC/minute



REVISIONS			
REV	DESCRIPTION	DATE	DRAWN
A			

RoHS Compliant



TEL: 886-2-86871898 FAX: 886-2-86872959
 Mail: tceldh@gmail.com Web: http://www.cnj.tw/

TITLE

.244"(6.2mm) Wire to Wire Male Hosing

DIMENSION TOLERANCE

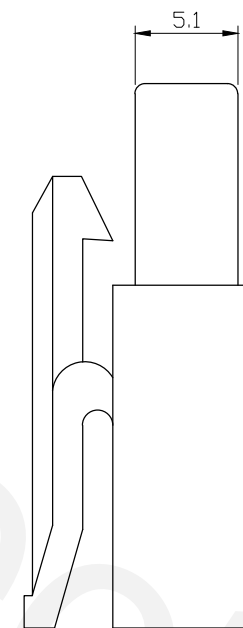
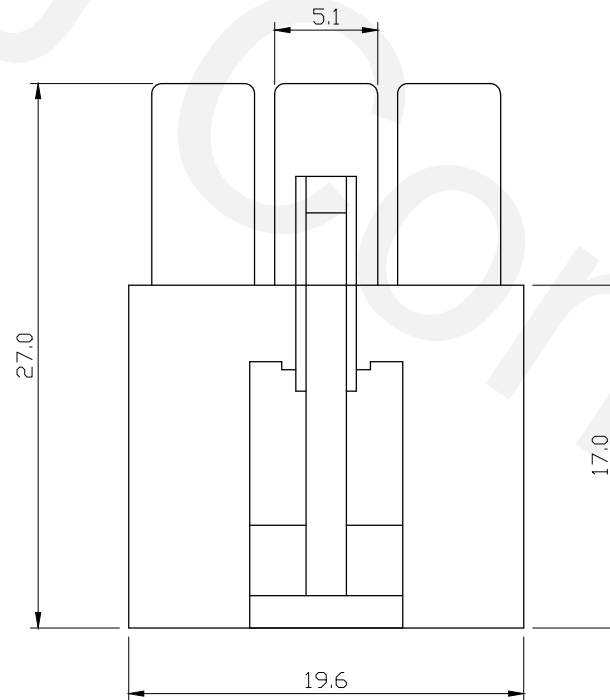
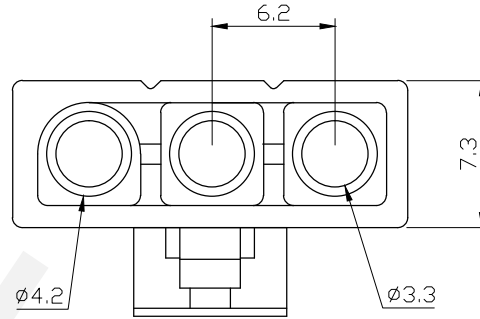
.x ±0.30 x° ±2°
 .xx ±0.20
 .xxx ±0.10

P/N	H508M02000	CHECKED	David	UNIT	mm	DATE	2010/08/30
DRAWN	Michael	APPROVED	Lily	SCALE	1:1	REV	A

☆☆☆ 508 Series ☆☆☆

P/N: H508M03000
 Material: Nylon 6/6, UL 94V-2, Natural
 Mate with H508F

Current Rating: 7A AC/DC
 Current Voltage: 250V AC/DC
 Contact Resistance: 10mΩ Max.
 Insulation Resistance: 1000MΩ Min.
 Withstanding Voltage: 1500V AC/minute



REVISIONS			
REV	DESCRIPTION	DATE	DRAWN
A			

RoHS Compliant



TEL: 886-2-86871898 FAX: 886-2-86872959
 Mail: tceldh@gmail.com Web: http://www.cnj.tw/

TITLE

.244"(6.2mm) Wire to Wire Male Housing

DIMENSION TOLERANCE

.x ±0.30 x° ±2°
 .xx ±0.20
 .xxx ±0.10

P/N	H508M03000	CHECKED	David	UNIT	mm	DATE	2010/11/03
DRAWN	Michael	APPROVED	Lily	SCALE	1:1	REV	A

☆☆☆ **508 Series** ☆☆☆

P/N: H508M04002

Material: Nylon 6/6, UL 94V-2, Natural
Mate with H508F

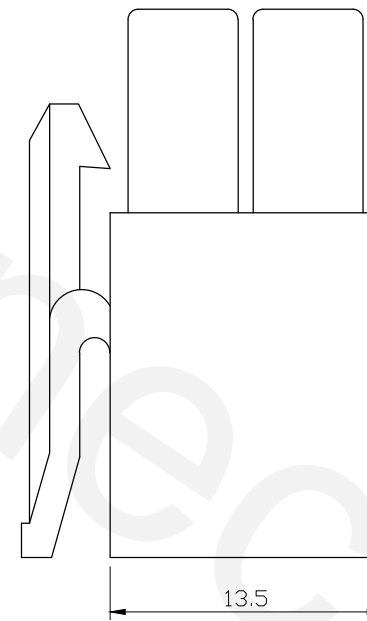
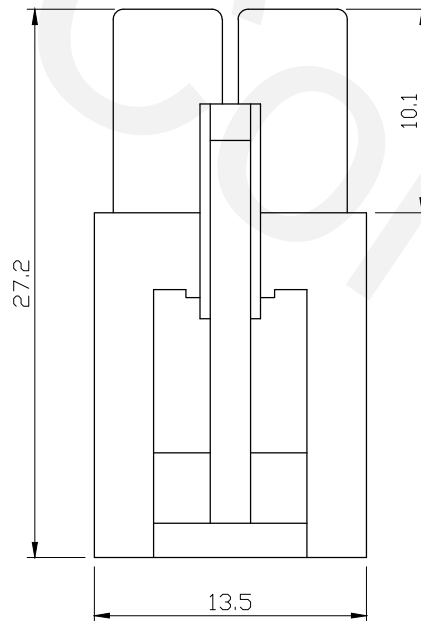
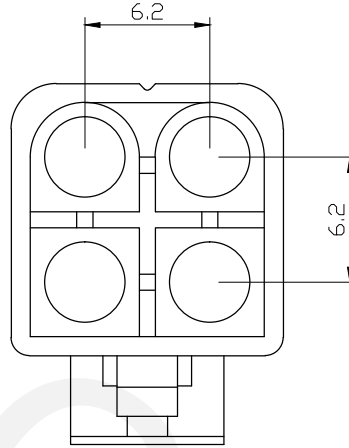
Current Rating: 7A AC/DC

Current Voltage: 250V AC/DC

Contact Resistance: 10mΩ Max.

Insulation Resistance: 1000MΩ Min.

Withstanding Voltage: 1500V AC/minute



REVISIONS			
REV	DESCRIPTION	DATE	DRAWN
A			

RoHS Compliant



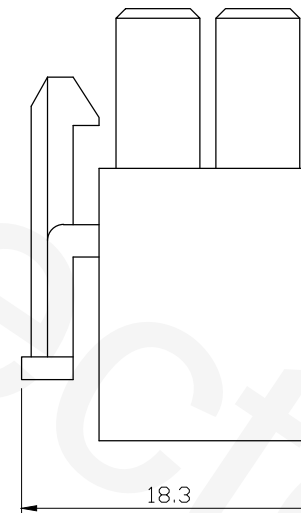
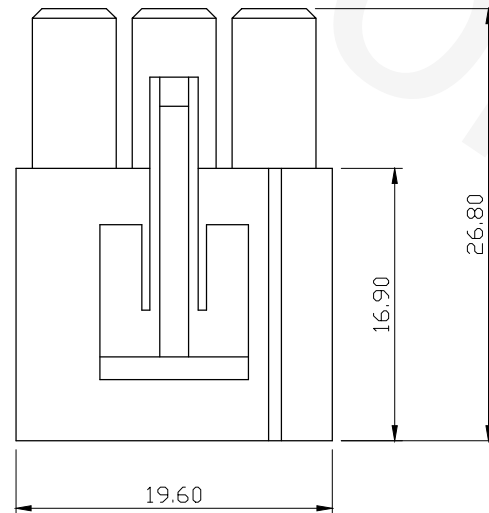
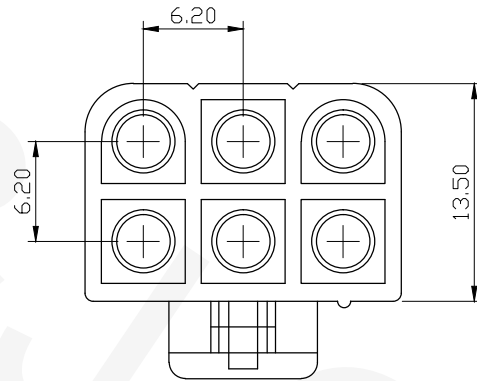
TEL: 886-2-86871898 FAX: 886-2-86872959
Mail: tceldh@gmail.com Web: <http://www.cnj.tw/>

TITLE						DIMENSION TOLERANCE			
.244"(6.2mm) Wire to Wire Male Housing						.x	±0.30	x°	±2°
						.xx	±0.20		
						.xxx	±0.10		
P/N	H508M04002	CHECKED	David	UNIT	mm	DATE	2010/11/03		
DRAWN	Michael	APPROVED	Lily	SCALE	1:1	REV	A		

☆☆☆ 508 Series ☆☆☆

P/N: H508M06000

Material: Nylon 6/6, UL 94V-2, White



RoHS Compliant

@ <http://www.cnj.tw/>

TITLE

.244" (6.2mm) Wire to Wire Male Housing

.x ±0.30 x° ±2°
.xx ±0.20 DIMENSION
.xxx ±0.10 TOLERANCE

P/N	H508M06000	CHECKED	David	UNIT	mm	DATE	2013/10/20
DRAWN	Michael	APPROVED	Lily	SCALE	1:1	REV	A

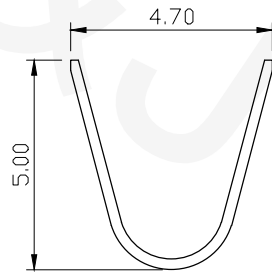
☆☆☆ 508 Series ☆☆☆

P/N: T508BF0T00

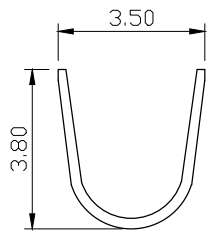
Conductor: Brass, Tin-Plated

Thickness: 0.25mm

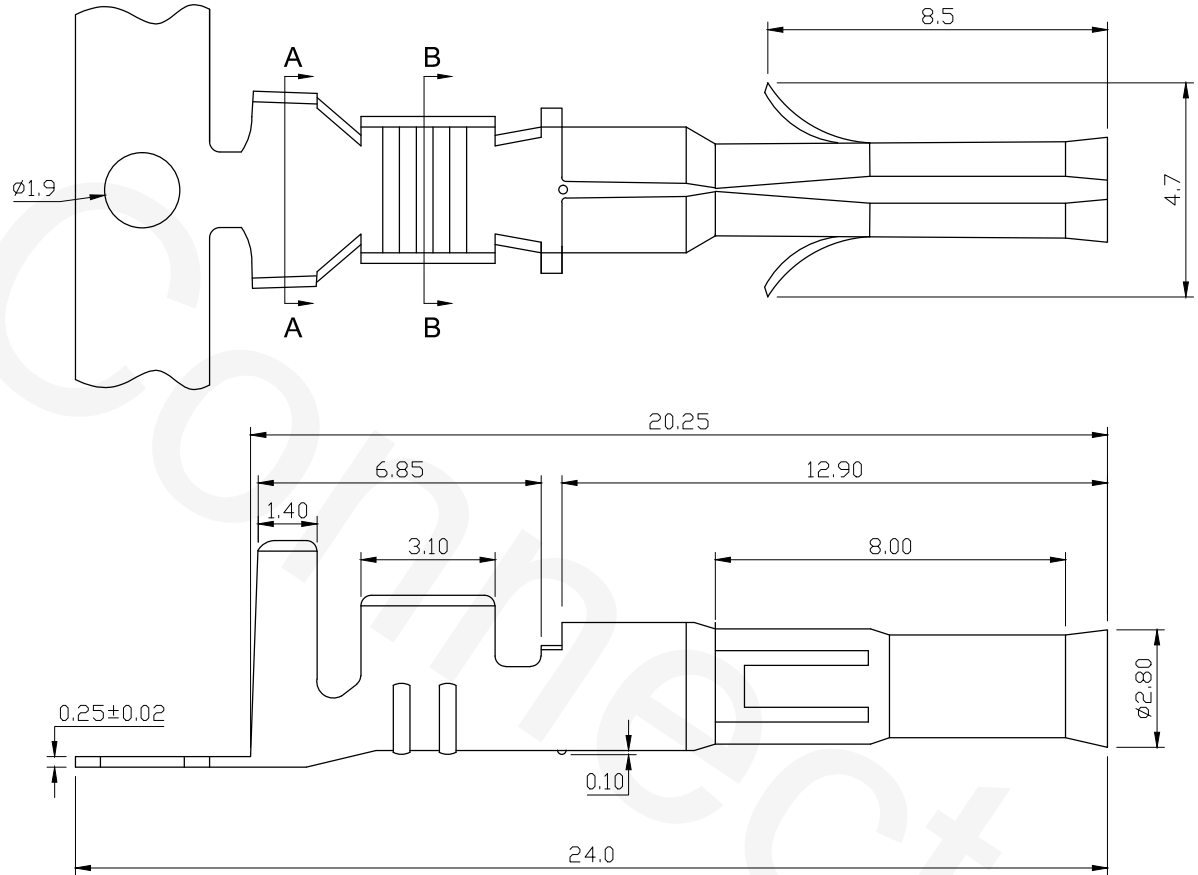
REVISIONS			
REV	DESCRIPTION	DATE	DRAWN
A			



Section A-A



Section B-B



RoHS Compliant



TEL: 886-2-86871898 FAX: 886-2-86872959
 Mail: tceldh@gmail.com Web: http://www.cnj.tw/

TITLE

.244"(6.2mm) Wire to Wire Crimp Terminal

DIMENSION TOLERANCE

.x ±0.30 x° ±2°
 .xx ±0.20
 .xxx ±0.10

P/N	T508BF0T00	CHECKED	David	UNIT	mm	DATE	2010/08/30
DRAWN	Michael	APPROVED	Lily	SCALE	1:1	REV	A

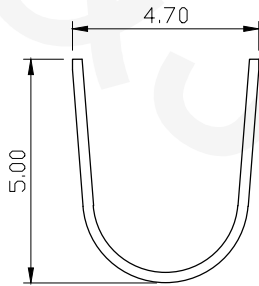
☆☆☆ 508 Series ☆☆☆

P/N: T508BM0T00

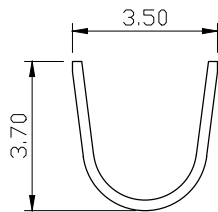
Conductor: Brass, Tin-Plated

Thickness: 0.25mm

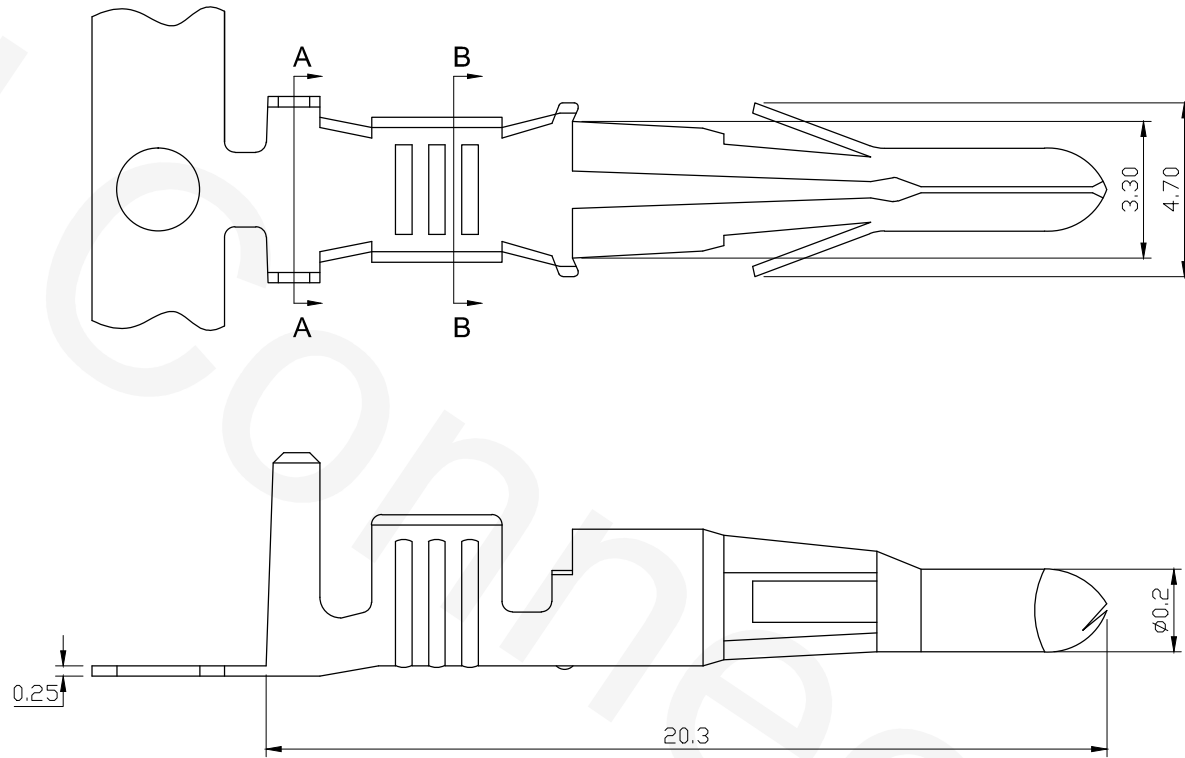
REVISIONS			
REV	DESCRIPTION	DATE	DRAWN
A			



Section A-A



Section B-B



RoHS Compliant



TEL: 886-2-86871898 FAX: 886-2-86872959
 Mail: tceldh@gmail.com Web: http://www.cnj.tw/

TITLE

.244"(6.2mm) Wire to Wire Crimp Terminal

DIMENSION TOLERANCE

.x ±0.30 x° ±2°
 .xx ±0.20
 .xxx ±0.10

P/N	T508BM0T00	CHECKED	David	UNIT	mm	DATE	2010/08/30
DRAWN	Michael	APPROVED	Lily	SCALE	1:1	REV	A