

# ☆☆☆ 302 Series ☆☆☆

P/N: W302V\*\*T00

Material: Nylon 6/6, UL 94V-2, White

Conductor: Brass, Tin-Plated

Available: 2~15P

Mate with H302

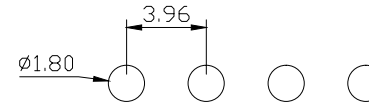
Current Rating: 5A AC/DC

Voltage Rating: 250V AC/DC

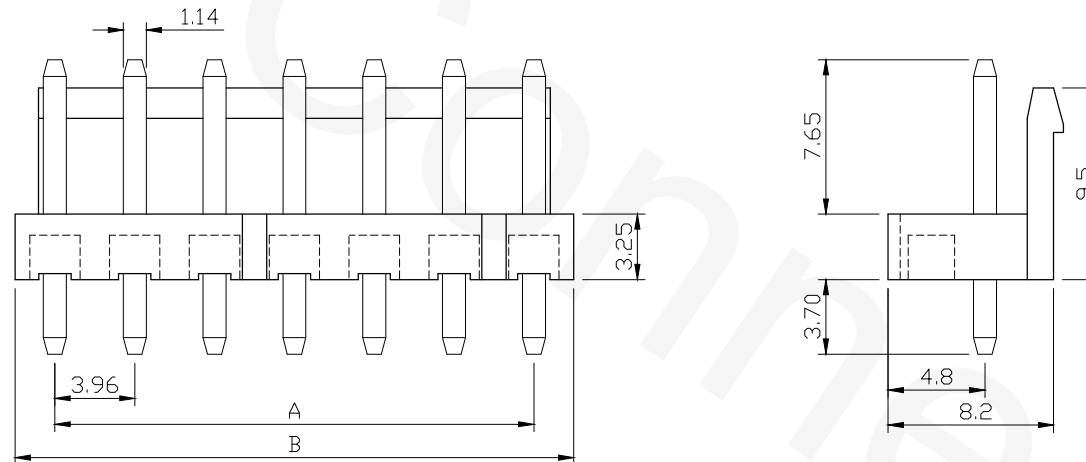
Contact Resistance: 10mΩ MAX.

Withstand Voltage: 1500V AC/Minute

Insulation Resistance: 1000MΩ Min.



RECOMMENDED P.C.BOARD HOLE DIMM.



Circuitis	Dim. A	Dim. B
2	3.96	7.92
3	7.92	11.88
4	11.88	15.84
5	15.84	19.80
6	19.80	23.76
7	23.76	27.72
8	27.72	31.68
9	31.68	35.64
10	35.64	39.60
11	39.60	43.56
12	43.56	47.52
13	47.52	51.48
14	51.48	55.44
15	55.44	59.40

RoHS Compliant



TEL: 886-2-86871898 FAX: 886-2-86872959  
Mail: tceldh@gmail.com Web: http://www.cnj.tw/

TITLE

.155"(3.96mm) Wire to Board Vertical Wafer

DIMENSION TOLERANCE

.x ±0.30 x° ±2°  
.xx ±0.20  
.xxx ±0.10

P/N	W302V**T00	CHECKED	David	UNIT	mm	DATE	2010/08/31
DRAWN	Michael	APPROVED	Lily	SCALE	1:1	REV	A

# ☆☆☆ 302 Series ☆☆☆

P/N: W302H\*\*T00

Material: Nylon 6/6, UL 94V-2, White

Conductor: Brass, Tin-Plated

Available: 2~15P

Mate with H302

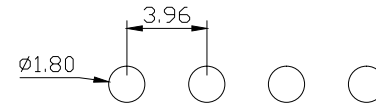
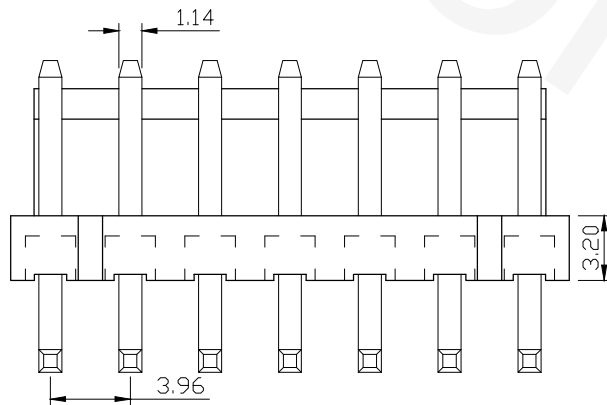
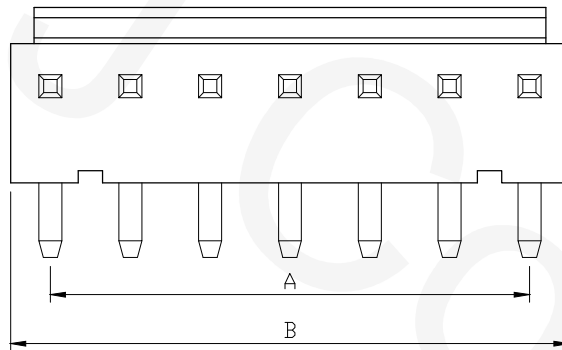
Current Rating: 5A AC/DC

Voltage Rating: 250V AC/DC

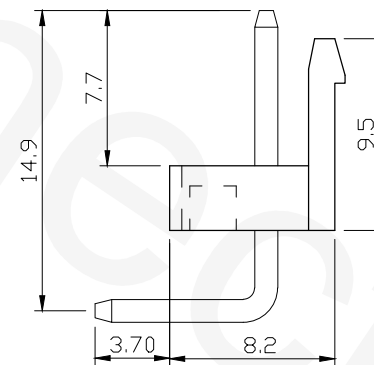
Contact Resistance: 10mΩ MAX.

Withstand Voltage: 1500V AC/Minute

Insulation Resistance: 1000MΩ Min.



RECOMMENDED P.C. BOARD HOLE DIMM.



REVISIONS			
REV	DESCRIPTION	DATE	DRAWN
A			

Circuitis	Dim. A	Dim. B
2	3.96	7.92
3	7.92	11.88
4	11.88	15.84
5	15.84	19.80
6	19.80	23.76
7	23.76	27.72
8	27.72	31.68
9	31.68	35.64
10	35.64	39.60
11	39.60	43.56
12	43.56	47.52
13	47.52	51.48
14	51.48	55.44
15	55.44	59.40

RoHS Compliant



TEL: 886-2-86871898 FAX: 886-2-86872959  
Mail: tceldh@gmail.com Web: http://www.cnj.tw/

TITLE

.155"(3.96mm) Wire to Board Horizontal Wafer

DIMENSION TOLERANCE

.x  $\pm 0.30$  x°  $\pm 2^\circ$   
.xx  $\pm 0.20$   
.xxx  $\pm 0.10$

P/N	W302H**T00	CHECKED	David	UNIT	mm	DATE	2010/08/31
DRAWN	Michael	APPROVED	Lily	SCALE	1:1	REV	A

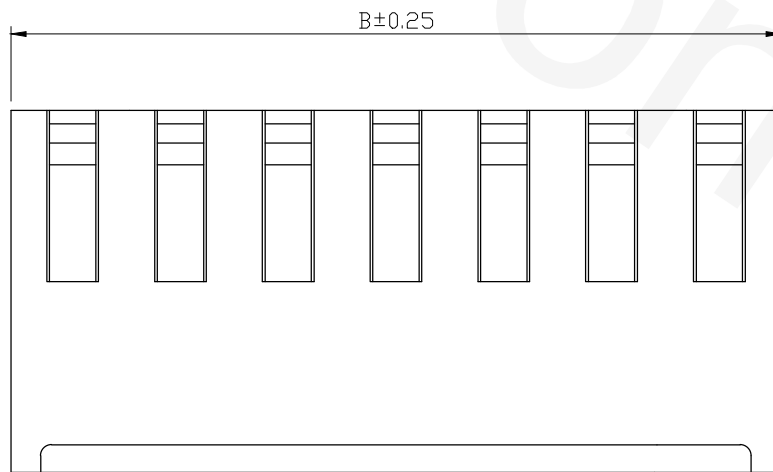
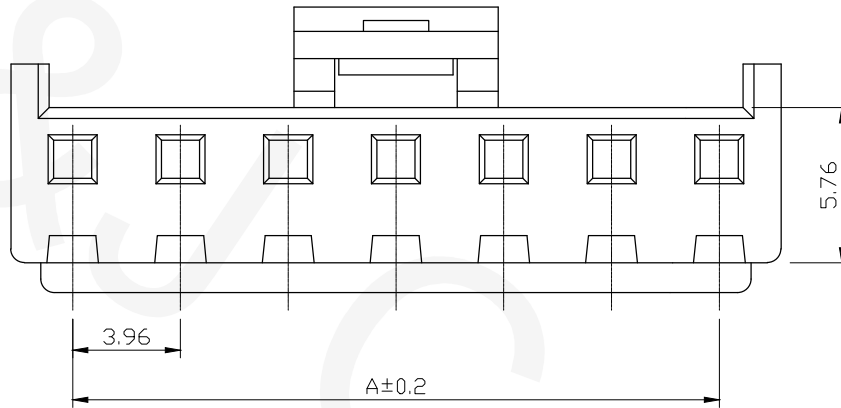
☆☆☆ 302 Series ☆☆☆

P/N: H302S\*\*000

Material: Nylon 6/6, UL 94V-2, White

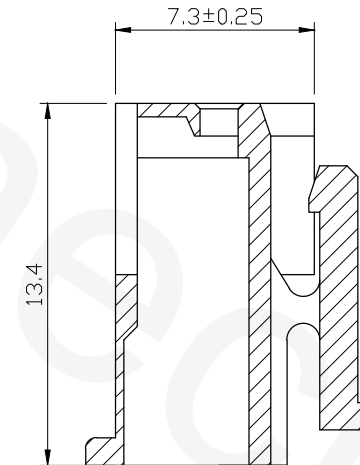
Available: 2~18P

Mate with W302



REVISIONS			
REV	DESCRIPTION	DATE	DRAWN
A			

Circuitis	Dim. A	Dim. B
2	3.96	8.22
3	7.92	12.18
4	11.88	16.14
5	15.84	20.10
6	19.80	24.06
7	23.76	28.02
8	27.72	31.98
9	31.68	35.94
10	35.64	39.90
11	39.60	43.86
12	43.56	47.82
13	47.52	51.78
14	51.48	55.74
15	55.44	59.70
16	59.40	63.66
17	63.36	67.62
18	67.32	71.58



RoHS Compliant



TEL: 886-2-86871898 FAX: 886-2-86872959  
 Mail: tceldh@gmail.com Web: http://www.cnj.tw/

TITLE

.156"(3.96mm) Wire to Board Housing

DIMENSION TOLERANCE

.x ±0.30 x° ±2°  
 .xx ±0.20  
 .xxx ±0.10

P/N	H302S**000	CHECKED	David	UNIT	mm	DATE	2010/08/13
DRAWN	Michael	APPROVED	Lily	SCALE	1:1	REV	A

☆☆☆ 303 Series ☆☆☆

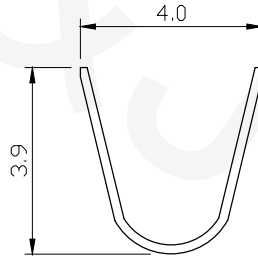
P/N: T302B00T00

Conductor: Phosphor Bronze/ Tin-Plated

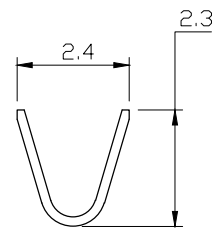
Thickness: 0.25mm

Wire Range: #18~22 AWG

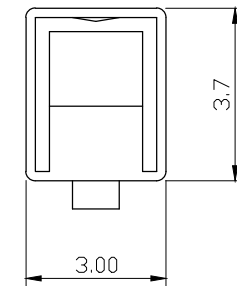
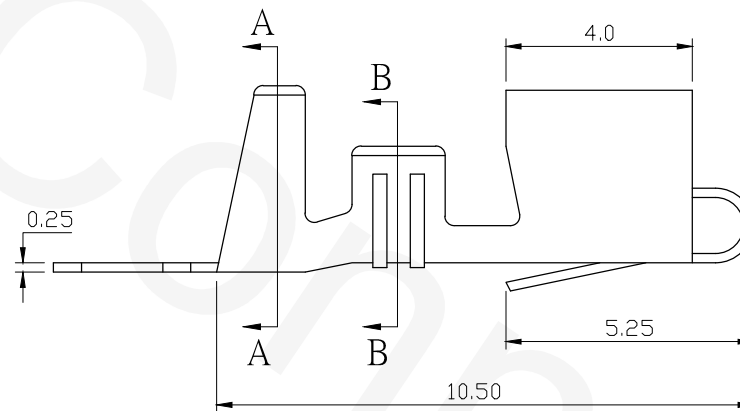
REVISIONS			
REV	DESCRIPTION	DATE	DRAWN
A			



Section A-A



Section B-B



RoHS Compliant



TEL: 886-2-86871898 FAX: 886-2-86872959  
 Mail: tceldh@gmail.com Web: http://www.cnj.tw/

TITLE

.156"(3.96mm) Crimp Terminal

DIMENSION TOLERANCE

.x ±0.30 x° ±2°  
 .xx ±0.20  
 .xxx ±0.10

P/N	T302B00T00	CHECKED	David	UNIT	mm	DATE	2010/08/05
DRAWN	Michael	APPROVED	Lily	SCALE	1:1	REV	A