

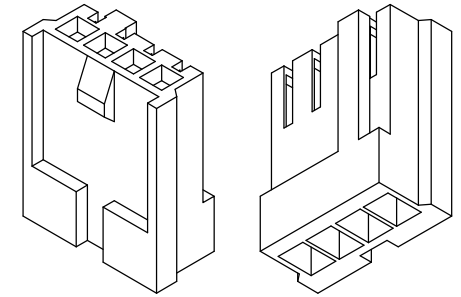
☆☆☆ 264 Series ☆☆☆

P/N: H264S**000

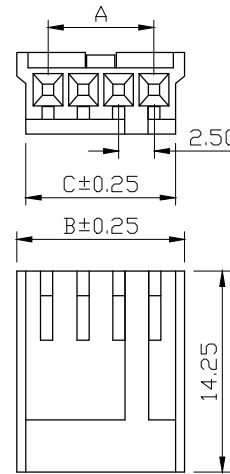
Material: Nylon 6/6, UL 94V-0, Wthie

Available: 2~12P

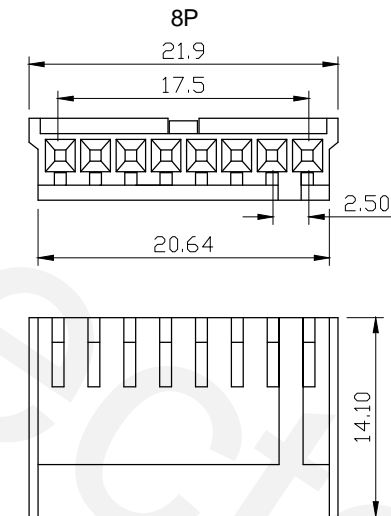
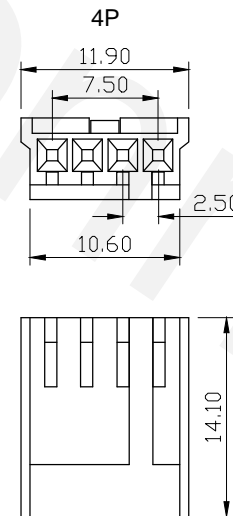
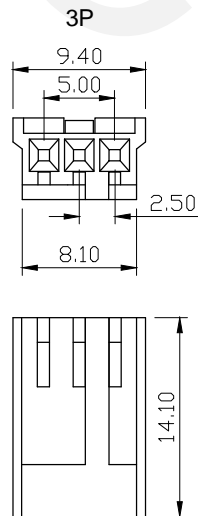
Mate with W264



2,5,6,7,9~12P



Circuitis	Dim. A	Dim. B	Dim. C
2	2.50	7.25	5.90
5	10.00	14.75	13.40
6	12.50	17.25	15.90
7	15.00	19.75	18.40
9	20.00	24.75	23.40
10	22.50	27.25	25.90
11	25.00	29.75	28.40
12	27.50	32.25	30.90



RoHS Compliant



TEL: 886-2-86871898 FAX: 886-2-86872959
Mail: tceldh@gmail.com Web: http://www.cnj.tw/

TITLE

.098"(2.5mm) Wire to Board Housing

DIMENSION TOLERANCE

.x ±0.30 x° ±2°
.xx ±0.20
.xxx ±0.10

P/N	H264S**000	CHECKED	David	UNIT	mm	DATE	2010/09/14
DRAWN	Michael	APPROVED	Lily	SCALE	1:1	REV	A

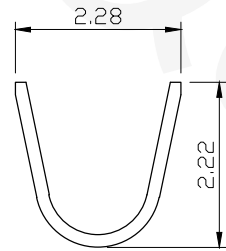
☆☆☆ 264 Series ☆☆☆

P/N: T264B00T00

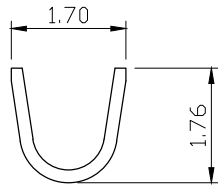
Conductor: Brass/ Tin-Plated

Thickness: 0.2mm

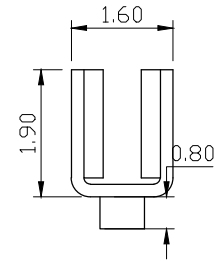
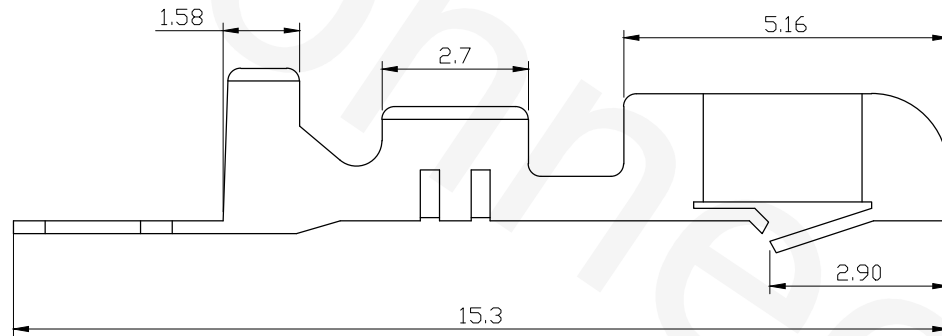
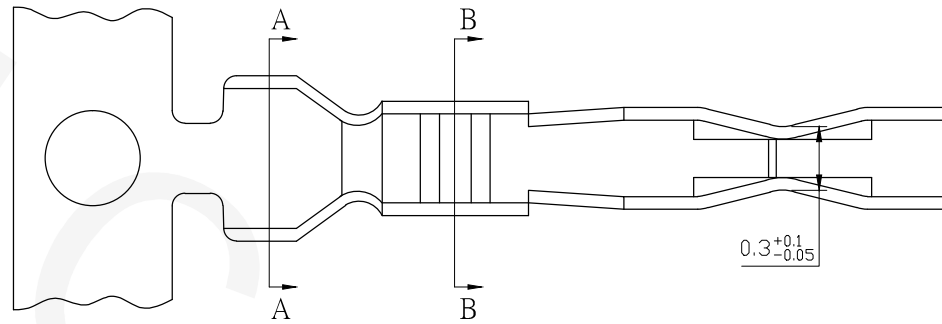
REVISIONS			
REV	DESCRIPTION	DATE	DRAWN
A			



Section A-A



Section B-B



RoHS Compliant



TEL: 886-2-86871898 FAX: 886-2-86872959
 Mail: tceldh@gmail.com Web: http://www.cnj.tw/

TITLE

.098"(2.5mm) Crimp Terminal

DIMENSION TOLERANCE

.x ±0.30 x° ±2°
 .xx ±0.20
 .xxx ±0.10

P/N	T264B00T00	CHECKED	David	UNIT	mm	DATE	2010/08/04
DRAWN	Michael	APPROVED	Lily	SCALE	1:1	REV	A

☆☆☆ 264 Series ☆☆☆

P/N: T264P0HT00

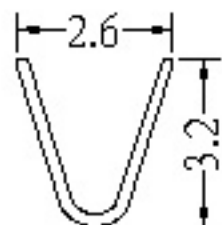
Conductor: Phosphor Bronze/Tin Plated

Thickness: 0.2mm

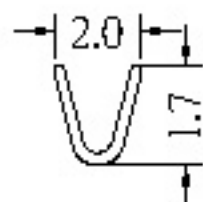
Applicable Wires: AWG#20~24#打并線用

RoHS Compliant

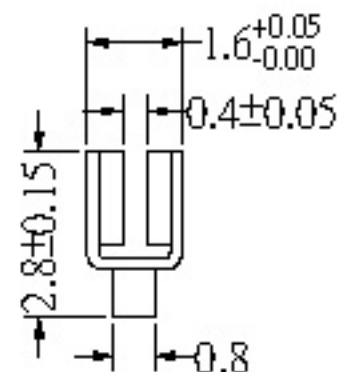
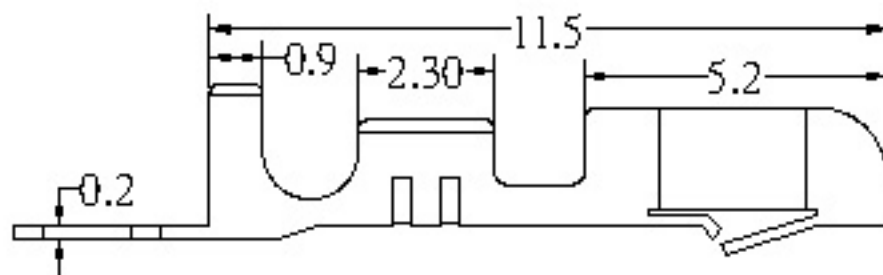
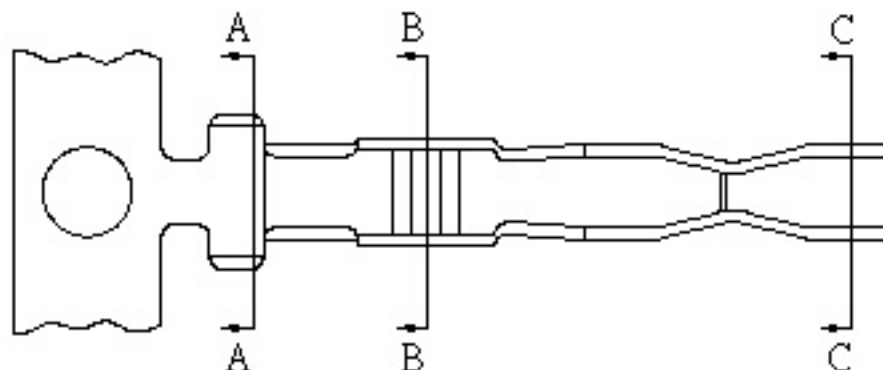
REVISIONS					
REV.	ECN	DESCRIPTION	DATE	DRAWN	APPROVED
B					
C					



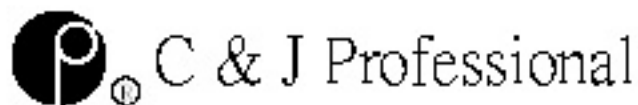
Sec A-A



Sec B-B



Sec C-C



NORMAL DIMENSION TOLERANCE

.X ±0.30 X' ±2'
.XX ±0.20
.XXX ±0.10

UNITS

mm

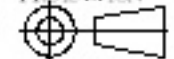
SCALE

1:1

MATERIAL

HEATMENT

THIRD ANGLE PROJECTION



TITLE

Terminal

DWG NO.

T264P0HT00

DRAWN

Ma 2005.06.05

CHECKED

APPROVED

SIZE

A4

REV

A

QUANTITY

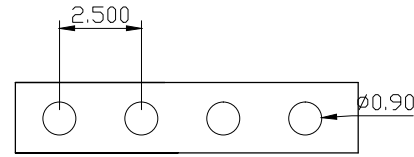
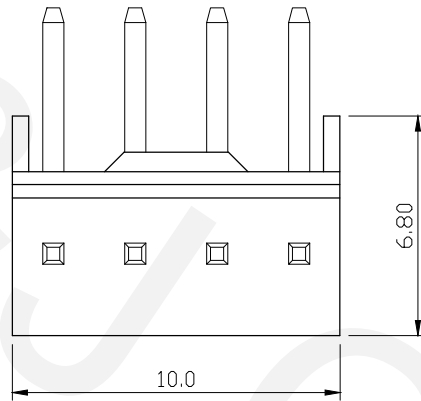
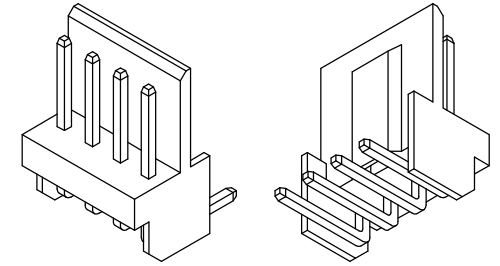
SHEET

1 OF 1

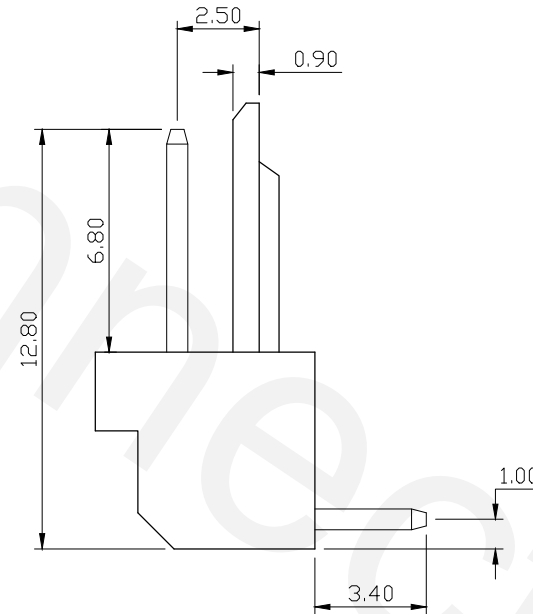
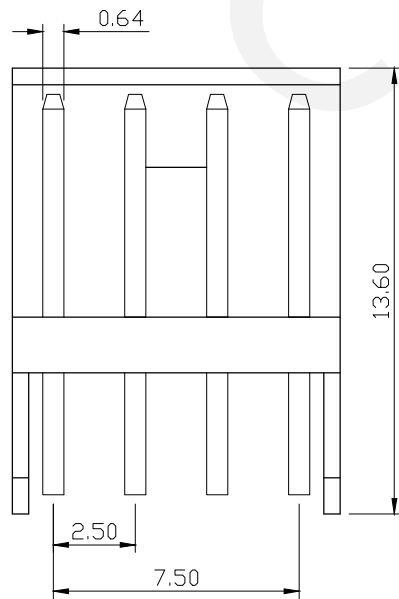
☆☆☆ **264 Series** ☆☆☆

P/N: W264H04T00

Material: Nylon 6/6, UL 94V-2, White
 Conductor: SQ0.64, Brass, Tin-Plated
 Mate with H264



RECOMMENDED P.C. BOARD HOLE DIMM.



RoHS Compliant



TEL: 886-2-86871898 FAX: 886-2-86872959
 Mail: tceldh@gmail.com Web: http://www.cnj.tw/

TITLE

.098"(2.50mm) 4Pin Horizontal Wafer

DIMENSION TOLERANCE

.x ±0.30 x° ±2°
 .xx ±0.20
 .xxx ±0.10

P/N	W264H04T00	CHECKED	David	UNIT	mm	DATE	2010/10/04
DRAWN	Michael	APPROVED	Lily	SCALE	1:1	REV	A

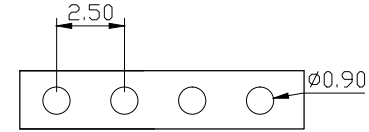
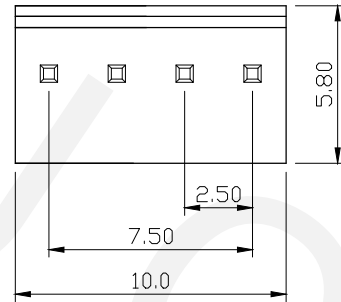
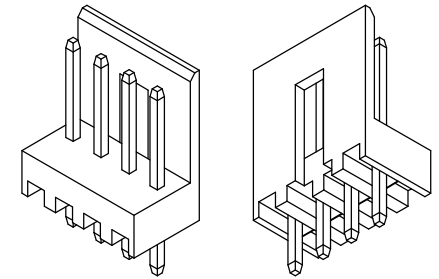
☆☆☆ 264 Series ☆☆☆

P/N: W264V04T00

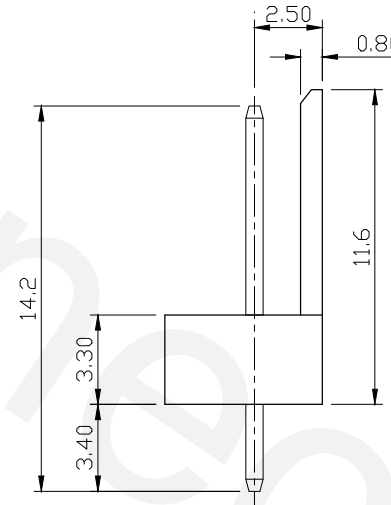
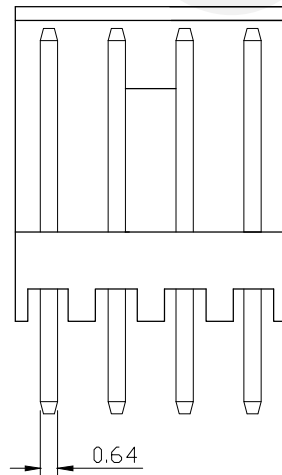
Material: Nylon 6/6, UL 94V-2, White

Conductor: SQ0.64*14.2mm, Brass, Tin-Plated

Mate with H264



RECOMMENDED P.C.BOARD HOLE DIMM.



RoHS Compliant



TEL: 886-2-86871898 FAX: 886-2-86872959
 Mail: tceldh@gmail.com Web: http://www.cnj.tw/

TITLE

.098"(2.50mm) 4P Vertical Wafer

DIMENSION TOLERANCE

.x ±0.30 x° ±2°
 .xx ±0.20
 .xxx ±0.10

P/N	W264V04T00	CHECKED	David	UNIT	mm	DATE	2010/10/04
DRAWN	Michael	APPROVED	Lily	SCALE	1:1	REV	A