

☆☆☆ 260 Series ☆☆☆

P/N: W260V**T00

Material: Nylon 6/6, UL 94V-2, Beige

Conductor: SQ0.64*14.2mm, Brass, Tin-Plated

Available: 2~20P

Mate with H260

Current Rating: 2.5A AC/DC

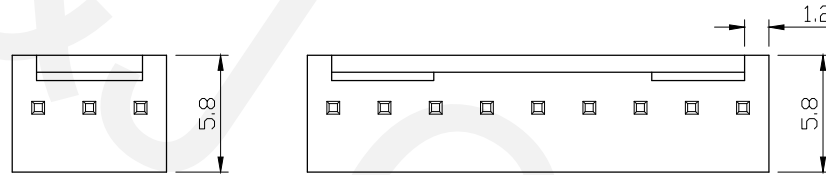
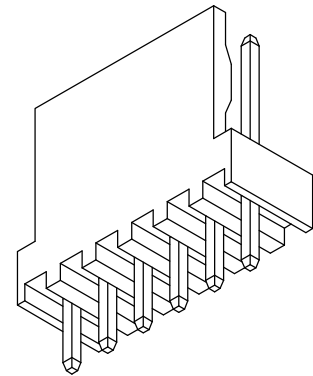
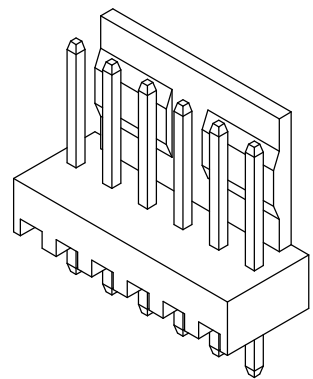
Voltage Rating: 250V AC/DC

Contact Resistance: 20mΩ Max.

Insulation Resistance: 1000MΩ Min.

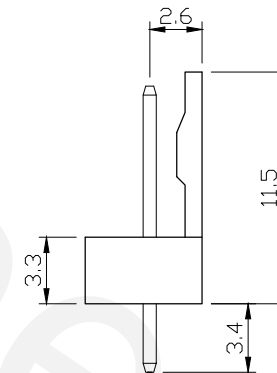
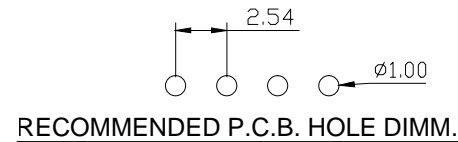
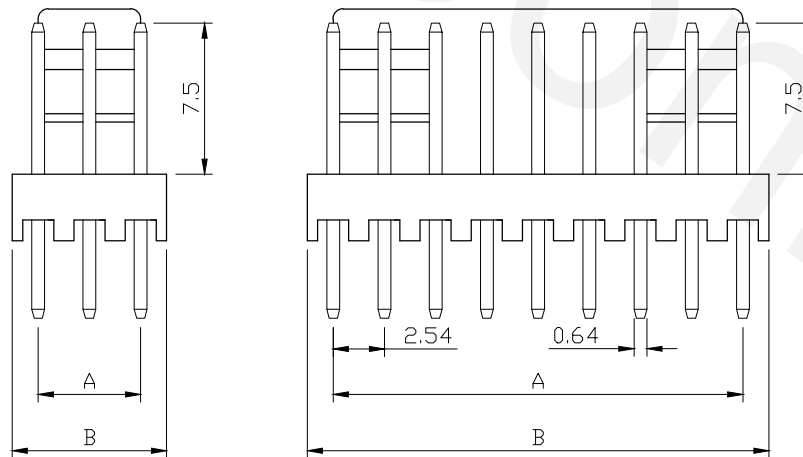
Withstanding Voltage: 1000V AC/minute

Operating Temperature Range: -25°C~85°C



2~4P

5~20P



RoHS Compliant

REVISIONS			
REV	DESCRIPTION	DATE	DRAWN
A			

Circuitis	Dim. A	Dim. B
2	2.54	5.08
3	5.08	7.62
4	7.62	10.16
5	10.16	12.70
6	12.70	15.24
7	15.24	17.78
8	17.78	20.32
9	20.32	22.86
10	22.86	25.40
11	25.40	27.94
12	27.94	30.48
13	30.48	33.02
14	33.02	35.56
15	35.56	38.10
16	38.10	40.64
17	40.64	43.18
18	43.18	45.72
19	45.72	48.26
20	48.26	50.80



TEL: 886-2-86871898 FAX: 886-2-86872959
 Mail: tceldh@gmail.com Web: http://www.cnj.tw/

TITLE

.100"(2.54mm) Wire to Board Vertical Wafer

DIMENSION TOLERANCE

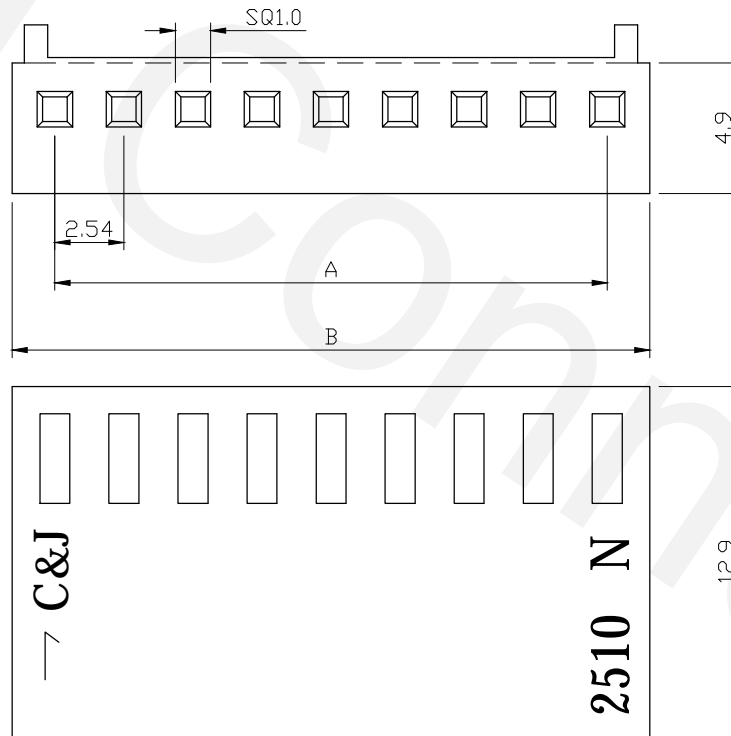
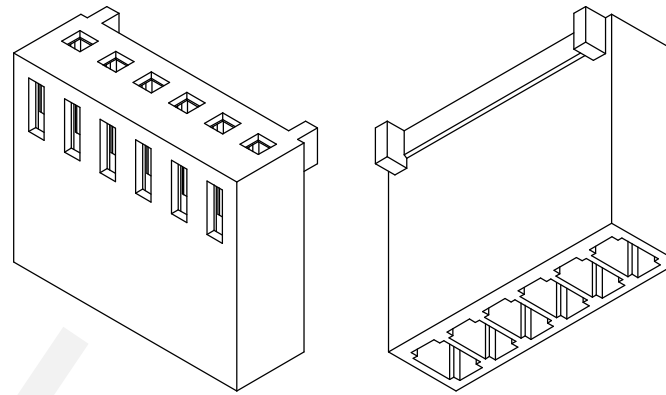
.x ±0.30 x° ±2°
 .xx ±0.20
 .xxx ±0.10

P/N	W260V**T00	CHECKED	David	UNIT	mm	DATE	2010/08/27
DRAWN	Michael	APPROVED	Lily	SCALE	1:1	REV	A

☆☆☆ **260 Series** ☆☆☆

P/N: H260L**000
 Material: Nylon 6/6, UL 94V-2, Beige
 Available: 2~20P
 Mate with T260

Current Rating: 2.5A AC/DC
 Voltage Rating: 250V AC/DC
 Contact Resistance: 20mΩ Max.
 Insulation Resistance: 1000MΩ Min.
 Withstanding Voltage: 1000V AC/minute
 Operating Temp Range: -25°C~85°C



REVISIONS			
REV	DESCRIPTION	DATE	DRAWN
A			

Circuitis	Dim. A	Dim. B
2	2.54	5.74
3	5.08	8.28
4	7.62	10.82
5	10.16	13.36
6	12.70	15.90
7	15.24	18.44
8	17.78	20.98
9	20.32	23.52
10	22.86	26.06
11	25.40	28.60
12	27.94	31.14
13	30.48	33.68
14	33.02	36.22
15	35.56	38.76
16	38.10	41.30
17	40.64	43.84
18	43.18	46.38
19	45.72	48.92
20	48.26	51.46

RoHS Compliant



TEL: 886-2-86871898 FAX: 886-2-86872959
 Mail: tceldh@gmail.com Web: http://www.cnj.tw/

TITLE

.100"(2.54mm) Wire to Board Vertical Housing

DIMENSION TOLERANCE

.x ±0.30 x° ±2°
 .xx ±0.20
 .xxx ±0.10

P/N	H260L**000	CHECKED	David	UNIT	mm	DATE	2010/08/03
DRAWN	Michael	APPROVED	Lily	SCALE	1:1	REV	A

☆☆☆ 260 Series ☆☆☆

P/N: H260N**000

Material: Nylon 6/6, UL 94V-0/2, Beige

Available: 2~20P

Mate with T260

Current Rating: 2.5A AC/DC

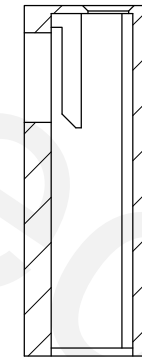
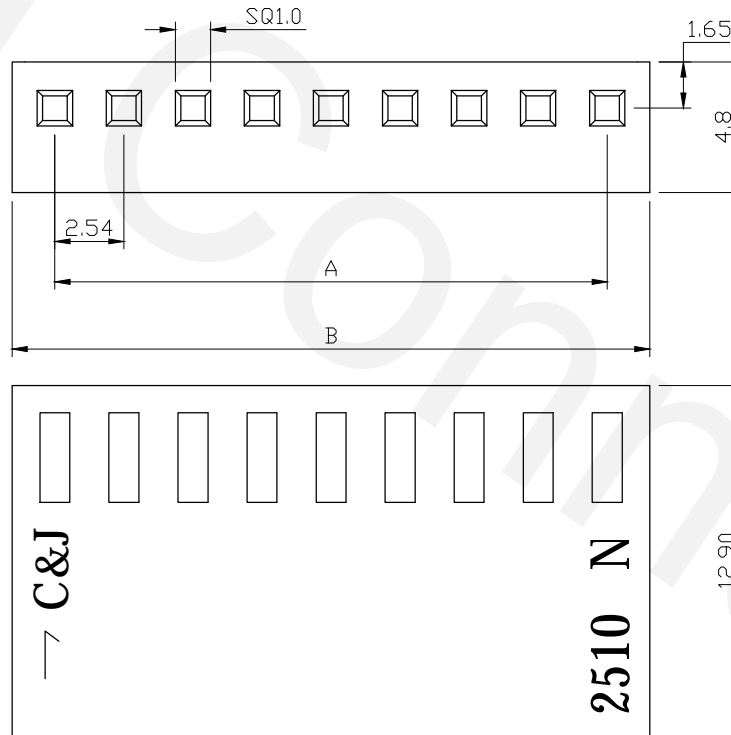
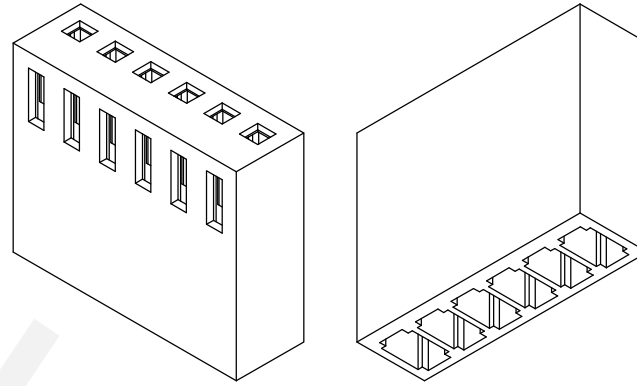
Voltage Rating: 250V AC/DC

Contact Resistance: 20mΩ Max.

Insulation Resistance: 1000MΩ Min.

Withstanding Voltage: 1000V AC/minute

Operating Temp Range: -25°C~85°C



REVISIONS

REV	DESCRIPTION	DATE	DRAWN
A			

Circuitis	Dim. A	Dim. B
2	2.54	5.74
3	5.08	8.28
4	7.62	10.82
5	10.16	13.36
6	12.70	15.90
7	15.24	18.44
8	17.78	20.98
9	20.32	23.52
10	22.86	26.06
11	25.40	28.60
12	27.94	31.14
13	30.48	33.68
14	33.02	36.22
15	35.56	38.76
16	38.10	41.30
17	40.64	43.84
18	43.18	46.38
19	45.72	48.92
20	48.26	51.46

RoHS Compliant



TEL: 886-2-86871898 FAX: 886-2-86872959
 Mail: tceldh@gmail.com Web: http://www.cnj.tw/

TITLE

.100"(2.54mm) Wire to Board Vertical Housing

DIMENSION TOLERANCE

.x ±0.30 x° ±2°
 .xx ±0.20
 .xxx ±0.10

P/N	H260N**000	CHECKED	David	UNIT	mm	DATE	2010/08/03
DRAWN	Michael	APPROVED	Lily	SCALE	1:1	REV	A

☆☆☆ 260 Series ☆☆☆

P/N: H260S**000

Material: Nylon 6/6, UL 94V-0/2, Beige

Available: 2~20P

Mate with T260

Current Rating: 2.5A AC/DC

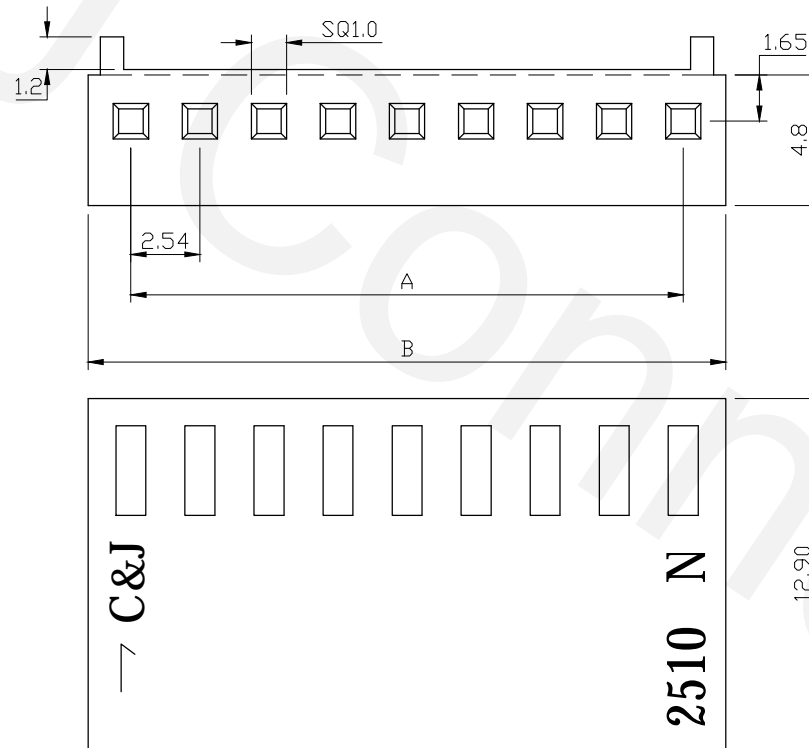
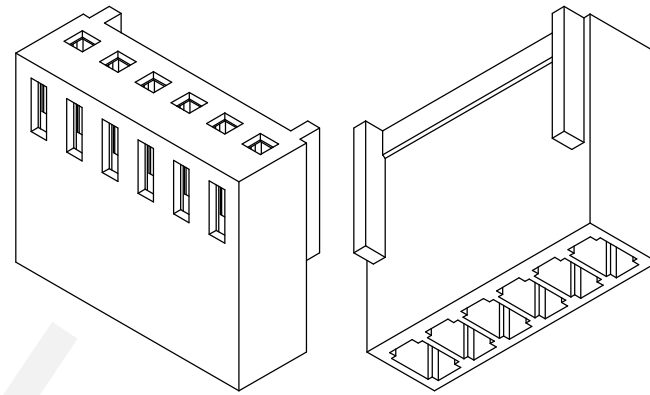
Voltage Rating: 250V AC/DC

Contact Resistance: 20mΩ Max.

Insulation Resistance: 1000MΩ Min.

Withstanding Voltage: 1000V AC/minute

Operating Temp Range: -25°C~85°C



REVISIONS			
REV	DESCRIPTION	DATE	DRAWN
A			

Circuitis	Dim. A	Dim. B
2	2.54	5.74
3	5.08	8.28
4	7.62	10.82
5	10.16	13.36
6	12.70	15.90
7	15.24	18.44
8	17.78	20.98
9	20.32	23.52
10	22.86	26.06
11	25.40	28.60
12	27.94	31.14
13	30.48	33.68
14	33.02	36.22
15	35.56	38.76
16	38.10	41.30
17	40.64	43.84
18	43.18	46.38
19	45.72	48.92
20	48.26	51.46

RoHS Compliant



TEL: 886-2-86871898 FAX: 886-2-86872959
 Mail: tceldh@gmail.com Web: http://www.cnj.tw/

TITLE

.100"(2.54mm) Wire to Board Vertical Housing

DIMENSION TOLERANCE

.x ±0.30 x° ±2°
 .xx ±0.20
 .xxx ±0.10

P/N	H260S**000	CHECKED	David	UNIT	mm	DATE	2010/08/03
DRAWN	Michael	APPROVED	Lily	SCALE	1:1	REV	A

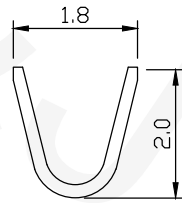
☆☆☆ 260 Series ☆☆☆

P/N: T260B00T00

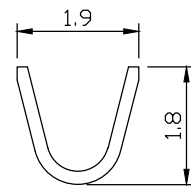
Conductor: Brass/ Tin-Plated

Thickness: 0.2mm

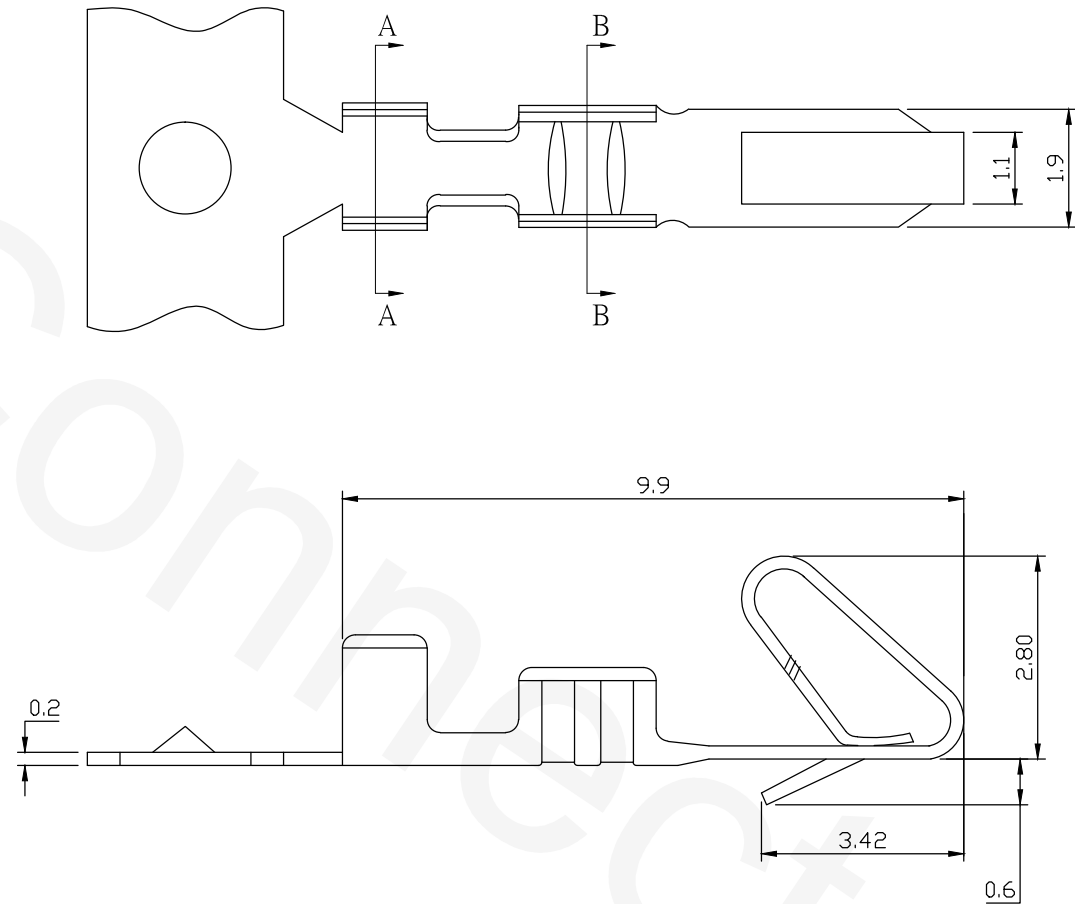
REVISIONS			
REV	DESCRIPTION	DATE	DRAWN
A			



Section A-A



Section B-B



RoHS Compliant



TEL: 886-2-86871898 FAX: 886-2-86872959
 Mail: tceldh@gmail.com Web: http://www.cnj.tw/

TITLE

.098"(2.5mm) Crimp Terminal

DIMENSION TOLERANCE

.x ±0.30 x° ±2°
 .xx ±0.20
 .xxx ±0.10

P/N	T260B00T00	CHECKED	David	UNIT	mm	DATE	2010/08/04
DRAWN	Michael	APPROVED	Lily	SCALE	1:1	REV	A

☆☆☆ 260 Series ☆☆☆

P/N: W260H**T00

Material: Nylon 6/6, UL 94V-2, Beige

Conductor: SQ0.64*17.8mm, Brass, Tin-Plated

Available: 2~20P

Mate with H260

Current Rating: 2.5A AC/DC

Voltage Rating: 250V AC/DC

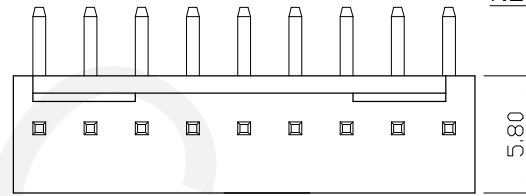
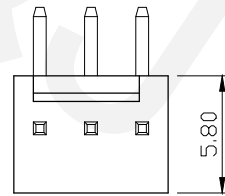
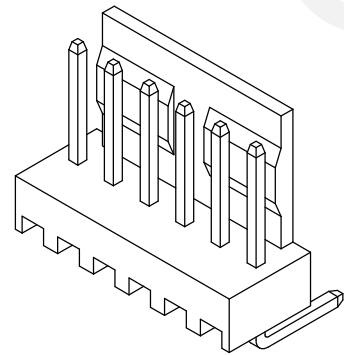
Contact Resistance: 20mΩ Max.

Insulation Resistance: 1000MΩ Min.

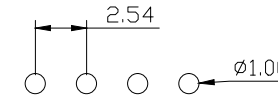
Withstanding Voltage: 1000V AC/minute

Operating Temperature Range: -25°C~85°C

REVISIONS			
REV	DESCRIPTION	DATE	DRAWN
A			

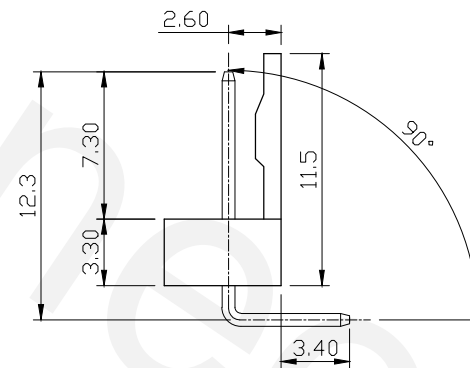
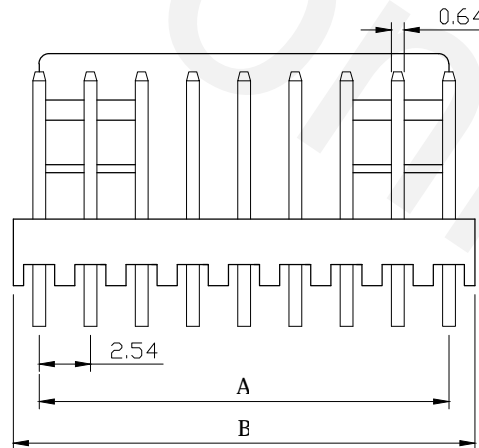
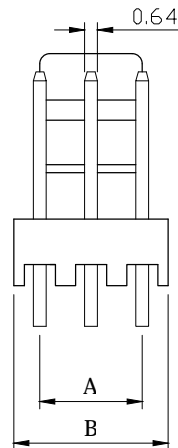


RECOMMENDED P.C.BOARD HOLE DIMM.



2~4P

5~20P



Circuitis	Dim. A	Dim. B
2	2.54	5.08
3	5.08	7.62
4	7.62	10.16
5	10.16	12.70
6	12.70	15.24
7	15.24	17.78
8	17.78	20.32
9	20.32	22.86
10	22.86	25.40
11	25.40	27.94
12	27.94	30.48
13	30.48	33.02
14	33.02	35.56
15	35.56	38.10
16	38.10	40.64
17	40.64	43.18
18	43.18	45.72
19	45.72	48.26
20	48.26	50.80

RoHS Compliant



TEL: 886-2-86871898 FAX: 886-2-86872959
 Mail: tceldh@gmail.com Web: http://www.cnj.tw/

TITLE

.100"(2.54mm) Wire to Board Horizontal Wafer

DIMENSION TOLERANCE

.x ±0.30 x° ±2°
 .xx ±0.20
 .xxx ±0.10

P/N	W260H**T00	CHECKED	David	UNIT	mm	DATE	2010/08/27
DRAWN	Michael	APPROVED	Lily	SCALE	1:1	REV	A

☆☆☆ 260 Series ☆☆☆

P/N: W260R**T00

Material: Nylon 6/6, UL 94V-2, Beige

Conductor: SQ0.64*17.8mm, Brass, Tin-Plated

Available: 2~20P

Mate with H260

Current Rating: 2.5A AC/DC

Voltage Rating: 250V AC/DC

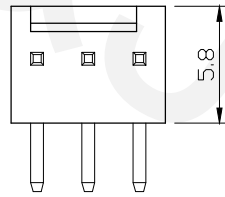
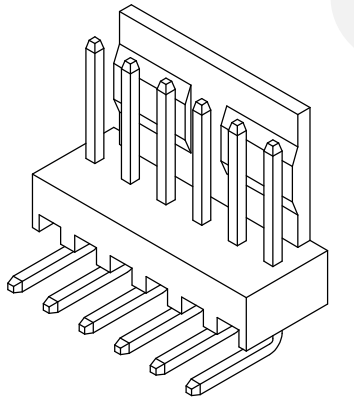
Contact Resistance: 20mΩ Max.

Insulation Resistance: 1000MΩ Min.

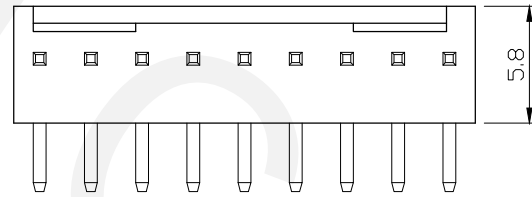
Withstanding Voltage: 1000V AC/minute

Operating Temperature Range: -25°C~85°C

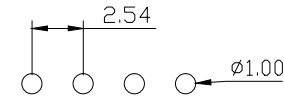
REVISIONS			
REV	DESCRIPTION	DATE	DRAWN
A			



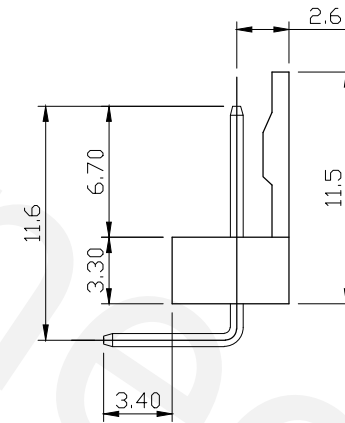
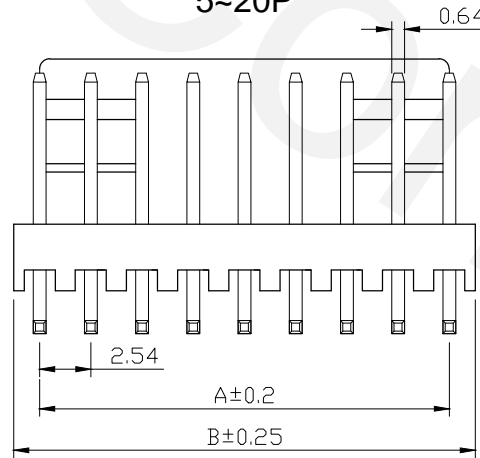
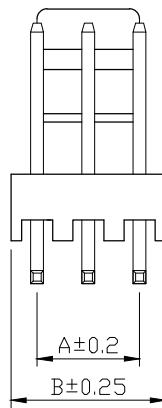
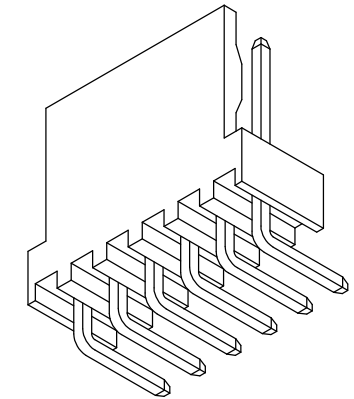
2~4P



5~20P



RECOMMENDED P.C. BOARD HOLE DIMM.



Circuitis	Dim. A	Dim. B
2	2.54	5.08
3	5.08	7.62
4	7.62	10.16
5	10.16	12.70
6	12.70	15.24
7	15.24	17.78
8	17.78	20.32
9	20.32	22.86
10	22.86	25.40
11	25.40	27.94
12	27.94	30.48
13	30.48	33.02
14	33.02	35.56
15	35.56	38.10
16	38.10	40.64
17	40.64	43.18
18	43.18	45.72
19	45.72	48.26
20	48.26	50.80

RoHS Compliant



TEL: 886-2-86871898 FAX: 886-2-86872959
 Mail: tceldh@gmail.com Web: http://www.cnj.tw/

TITLE
 .100"(2.54mm) Wire to Board Reversed Horizontal Wafer

DIMENSION TOLERANCE	
.x	±0.30 x° ±2°
.xx	±0.20
.xxx	±0.10

P/N	W260R**T00	CHECKED	David	UNIT	mm	DATE	2010/08/27
DRAWN	Michael	APPROVED	Lily	SCALE	1:1	REV	A