

☆☆☆ 237 Series ☆☆☆

P/N: H237H**001

Material: Nylon 6/6, UL 94V-0/2, Wthie

Available: 2~16P

Mate with T237H

Current Rating: 2A AC/DC

Voltage Rating: 250V AC/DC

Contact Resistance: 10mΩ Max.

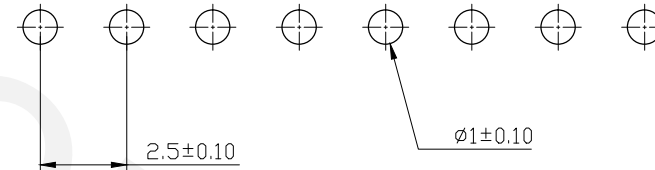
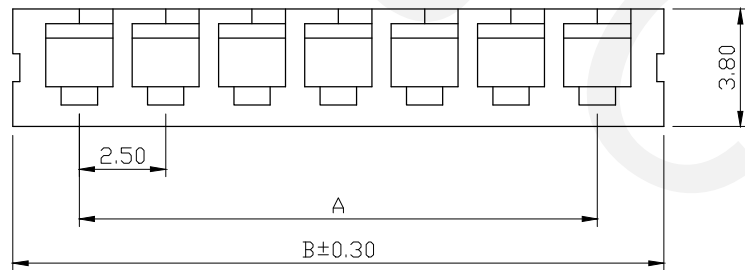
After Environmental Testing: 20mΩ Max.

Insulation Resistance: 800mΩ Min.

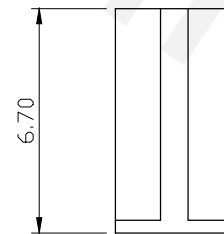
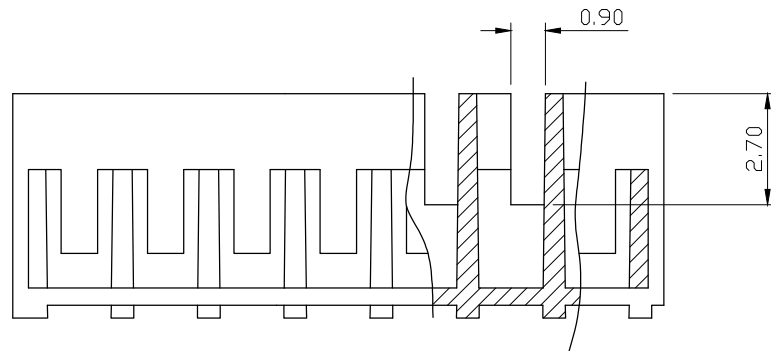
Withstanding Voltage: 1000V AC/minute

Temperature Range: -25°C~85°C

REVISIONS			
REV	DESCRIPTION	DATE	DRAWN
A			



RECOMMENDED P.C.BOARD HOLE DIMM.



Circuitis	Dim. A	Dim. B
2	2.50	6.50
3	5.00	9.00
4	7.50	11.50
5	10.00	14.00
6	12.50	16.50
7	15.00	19.00
8	17.50	21.50
9	20.00	24.00
10	22.50	26.50
11	25.00	29.00
12	27.50	31.50
13	30.00	34.00
14	32.50	36.50
15	35.00	39.00
16	37.50	41.50

RoHS Compliant



TEL: 886-2-86871898 FAX: 886-2-86872959
 Mail: tceldh@gmail.com Web: http://www.cnj.tw/

TITLE
 .098"(2.5mm) Wire to Board Horizontal Housing

DIMENSION TOLERANCE
 .x ±0.30 x° ±2°
 .xx ±0.20
 .xxx ±0.10

P/N	H237H**001	CHECKED	David	UNIT	mm	DATE	2010/08/03
DRAWN	Michael	APPROVED	Lily	SCALE	1:1	REV	A

☆☆☆ **237 Series** ☆☆☆

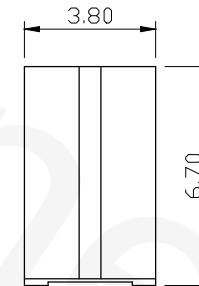
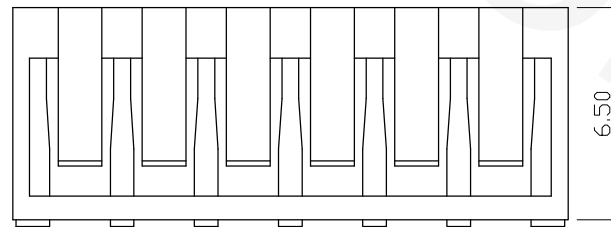
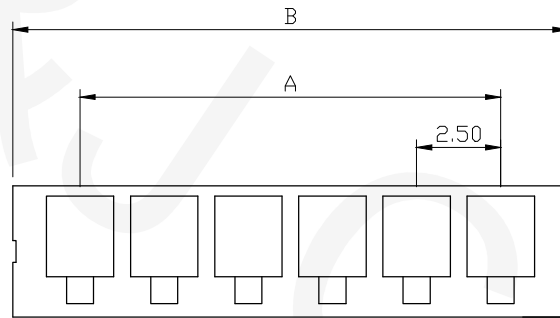
P/N: H237V**000

Material: Nylon 6/6, UL 94V-0/2, Beige

Available: 2~16P

Mate with T237

REVISIONS			
REV	DESCRIPTION	DATE	DRAWN
A			



Circuitis	Dim. A	Dim. B
2	2.50	6.50
3	5.00	9.00
4	7.50	11.50
5	10.00	14.00
6	12.50	16.50
7	15.00	19.00
8	17.50	21.50
9	20.00	24.00
10	22.50	26.50
11	25.00	29.00
12	27.50	31.50
13	30.00	34.00
14	32.50	36.50
15	35.00	39.00
16	37.50	41.50

RoHS Compliant



TEL: 886-2-86871898 FAX: 886-2-86872959
 Mail: tceldh@gmail.com Web: http://www.cnj.tw/

TITLE

.098"(2.5mm) Wire to Board Vertical Housing

DIMENSION TOLERANCE

.x ±0.30 x° ±2°
 .xx ±0.20
 .xxx ±0.10

P/N	H237V**000	CHECKED	David	UNIT	mm	DATE	2010/08/03
DRAWN	Michael	APPROVED	Lily	SCALE	1:1	REV	A

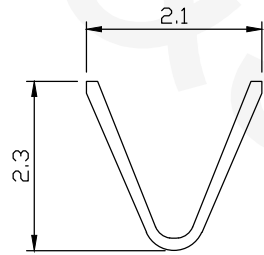
☆☆☆ **237 Series** ☆☆☆

P/N: T237V00T00

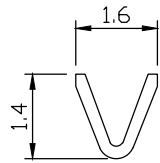
Conductor: Phosphor Bronze/ Tin-Plated

Thickness: 0.2mm

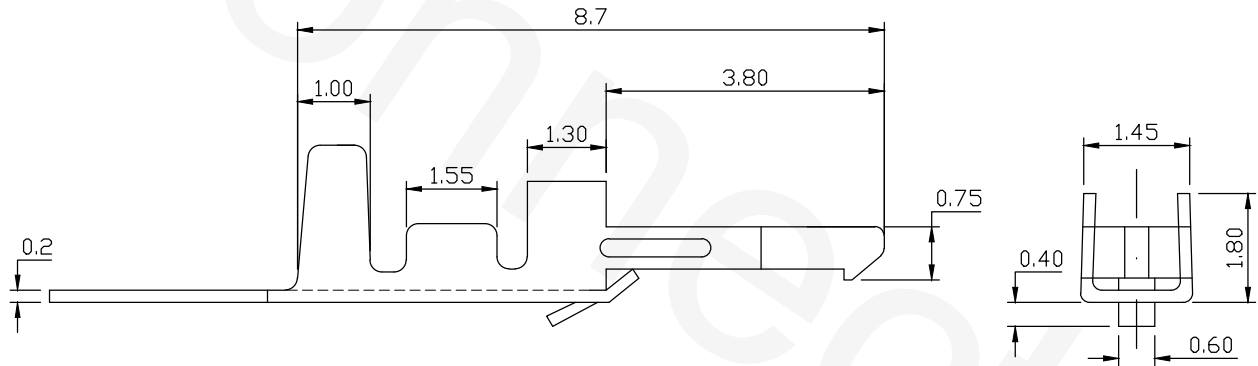
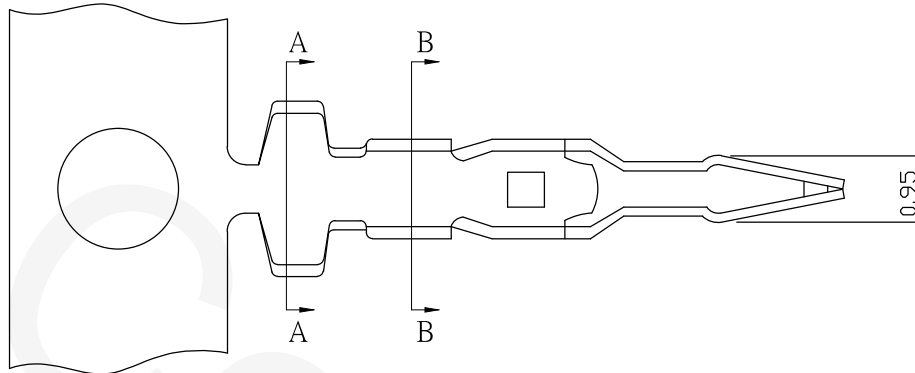
REVISIONS			
REV	DESCRIPTION	DATE	DRAWN
A			



Section A-A



Section B-B



RoHS Compliant



TEL: 886-2-86871898 FAX: 886-2-86872959
 Mail: tceldh@gmail.com Web: <http://www.cnj.tw/>

TITLE

.098"(2.5mm) Crimp Terminal

DIMENSION TOLERANCE

.x ±0.30 x° ±2°
 .xx ±0.20
 .xxx ±0.10

P/N	T237BV0T00	CHECKED	David	UNIT	mm	DATE	2010/08/04
DRAWN	Michael	APPROVED	Lily	SCALE	1:1	REV	A

A B C D E F

REVISIONS

REV	DESCRIPTION	DATE	DRAWN
A			

1

2

3

4

☆☆☆ 237 Series ☆☆☆

P/N: T237PV0T00

Conductor: Phosphor Bronze

Thickness: 0.2mm

Section A-A

Section B-B

Section C-C

RoHS Compliant

 C&J Connector

TEL: 886-2-86871898 FAX: 886-2-86872959
 Mail: tceldh@gmail.com Web: http://www.cnj.tw/

TITLE

.098"(2.5mm) Crimp Terminal

DIMENSION TOLERANCE

.x ±0.30 x° ±2°
 .xx ±0.20
 .xxx ±0.10

4

P/N	T237PV0T00	CHECKED	David	UNIT	mm	DATE	2010/08/04
DRAWN	Michael	APPROVED	Lily	SCALE	1:1	REV	A

A B C D E F