

☆☆☆ 211 Series ☆☆☆

P/N: H211S**000

Material: Nylon 6/6, UL 94V-0, White

Available: 2~16P

Current Rating: 3A AC/DC

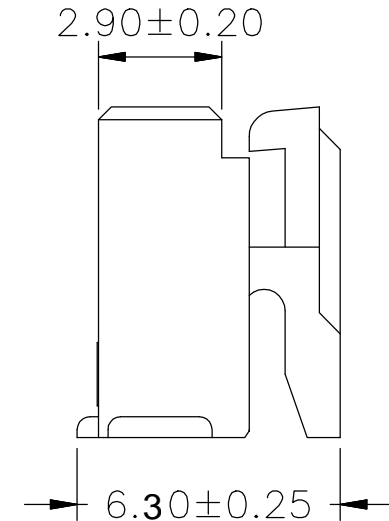
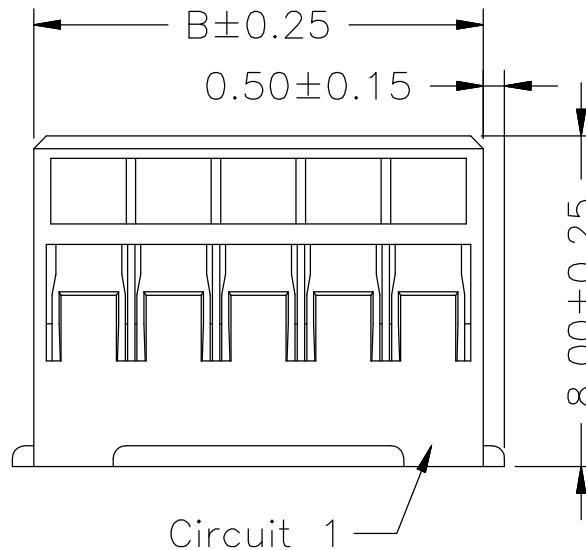
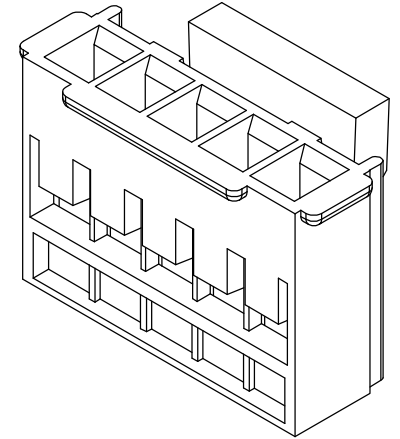
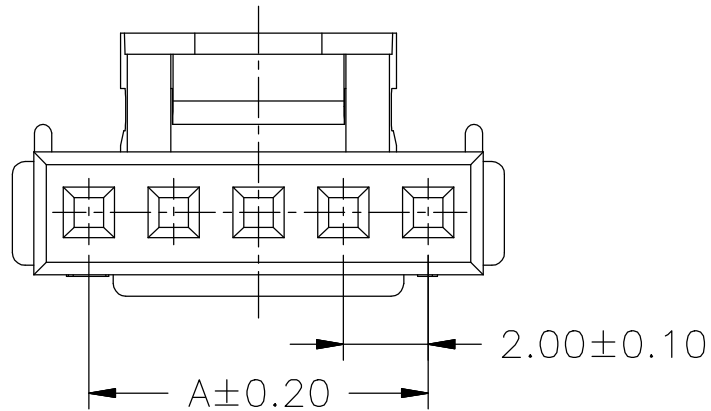
Voltage Rating: 250V AC/DC

Contact Resistance: 30mΩ Max.

Insulation Resistance: 1000mΩ Min.

Withstanding Voltage: 1000V AC/minute

Operating Temperature Range: -25°~85°C



Circuitis	Dim. A	Dim. B
2	2.00	4.60
3	4.00	6.60
4	6.00	8.60
5	8.00	10.60
6	10.00	12.60
7	12.00	14.60
8	14.00	16.60
9	16.00	18.60
10	18.00	20.60
11	20.00	22.60
12	22.00	24.60
13	24.00	26.60
14	26.00	28.60
15	28.00	30.60
16	30.00	32.60

TITLE

.079"(2.0mm) Housing with Lock

.x ±0.30 x° ±2°
.xx ±0.20 DIMENSION
.xxx ±0.10 TOLERANCE

P/N	H211S**000	CHECKED	David	UNIT	mm	DATE	2011/10/20
DRAWN	Michael	APPROVED	Lily	SCALE	1:1	REV	A



RoHS Compliant

@ <http://www.cnj.tw/>

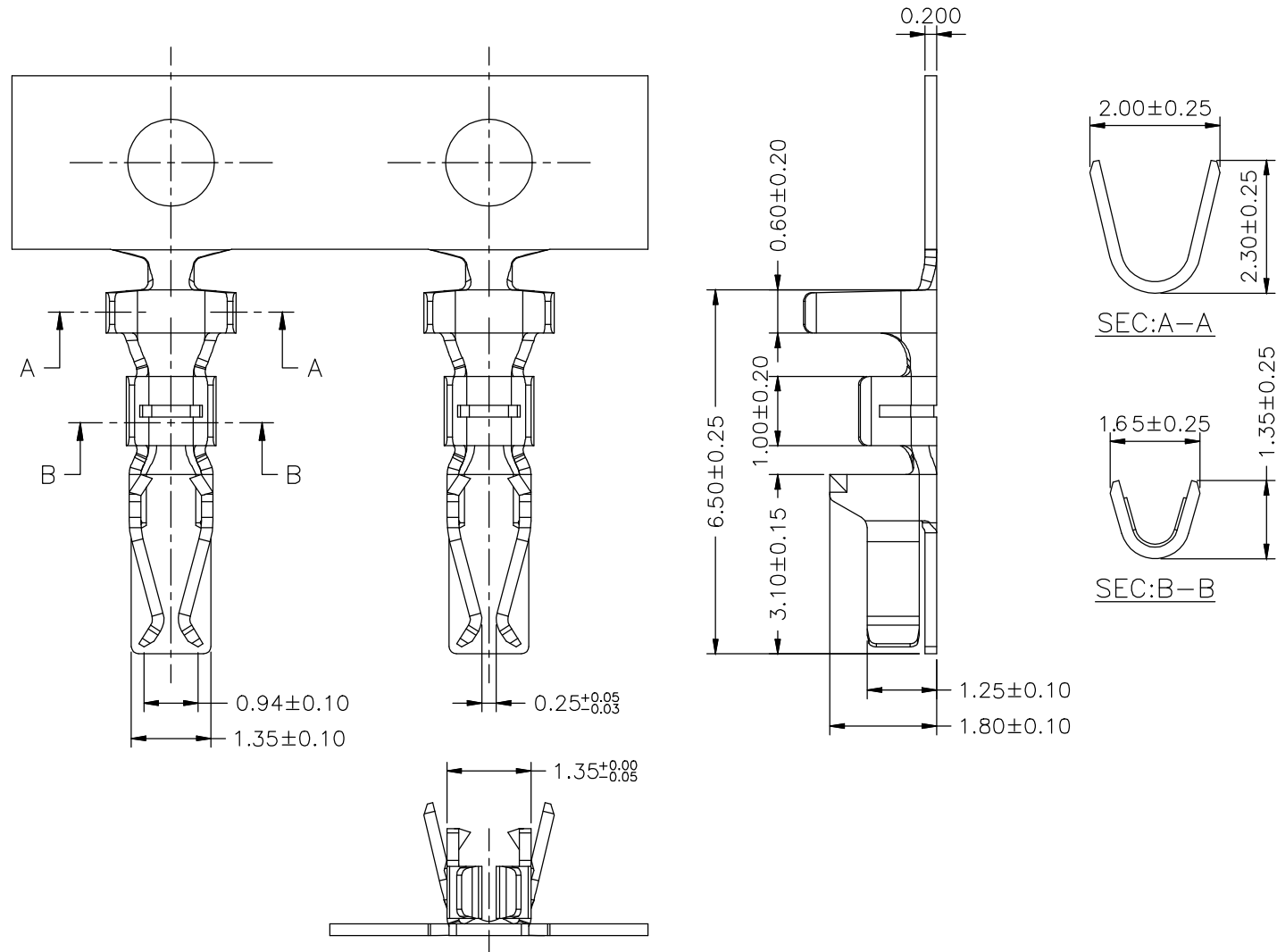
☆☆☆ 211 Series ☆☆☆

P/N: T211P00T00

Material: Phosphor Bronze, Tin-Plated

Wire Range: AWG#22~#30

Q'ty/reel: 10k pcs



TITLE

.079" (2.0mm) Terminal

.x ± 0.30 x° $\pm 2^\circ$
 .xx ± 0.20 DIMENSION
 .xxx ± 0.10 TOLERANCE

 **C&J Connector**

P/N	T211P00T00	CHECKED	David	UNIT	mm	DATE	2011/10/20
DRAWN	Michael	APPROVED	Lily	SCALE	1:1	REV	A

RoHS Compliant

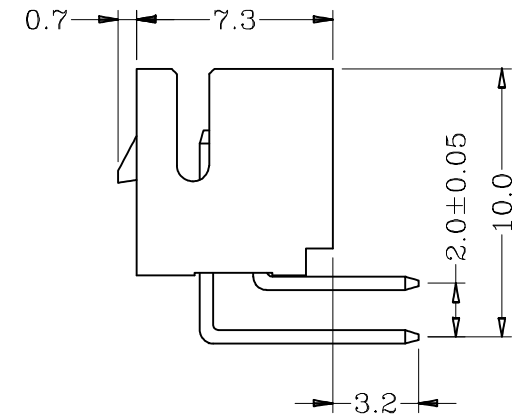
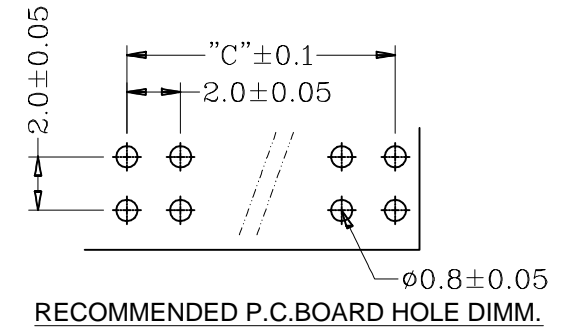
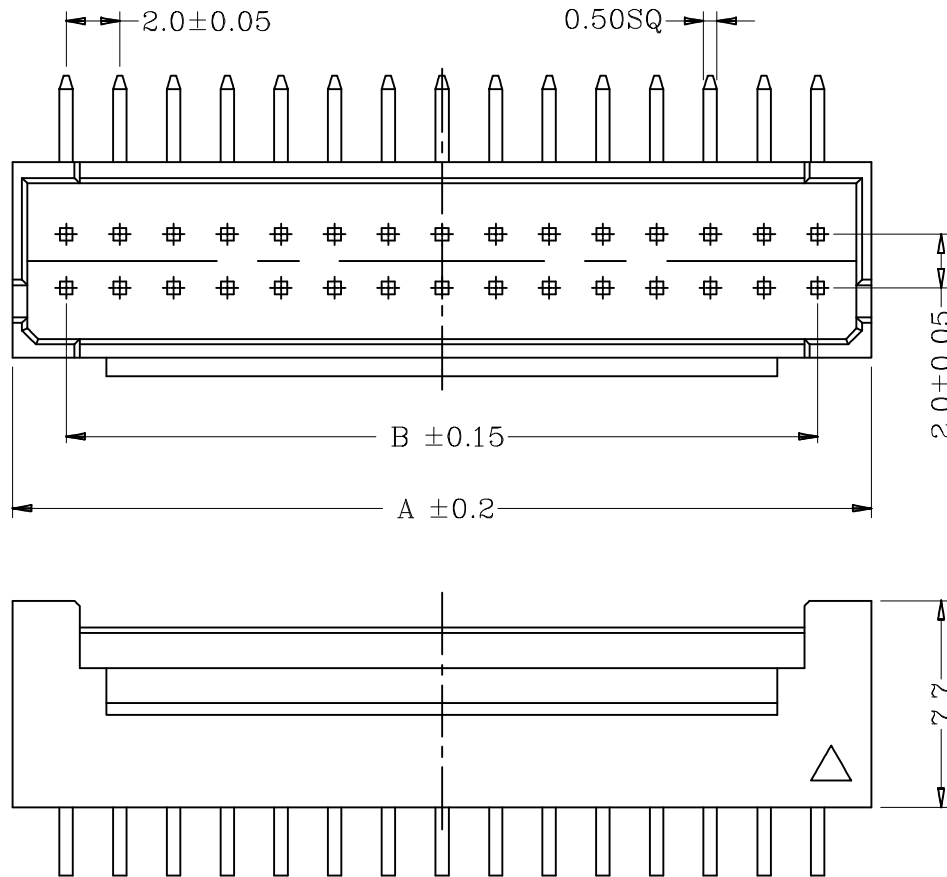
@ <http://www.cnj.tw/>

☆☆☆ 211 Series ☆☆☆

P/N: W211H**T00
 Material: Nylon 46, UL 94V-0
 Conductor: Brass, Tin-Plated
 Available: 8~60P

Current Rating: 3A AC/DC
 Voltage Rating: 250V AC/DC
 Contact Resistance: 30mΩ Max.
 Insulation Resistance: 1000MΩ Min.
 Withstanding Voltage: 1000V AC/minute
 Operating Temperature Range: -25°~85°C

Circuitis	Dim. A	Dim. B
8	10.0	6.00
10	12.0	8.00
12	14.0	10.00
14	16.0	12.00
16	18.0	14.00
18	20.0	16.00
20	22.0	18.00
22	24.0	20.00
24	26.0	22.00
26	28.0	24.00
28	30.0	26.00
30	32.0	28.00
32	34.0	30.00
34	36.0	32.00
36	38.0	34.00
38	40.0	36.00
40	42.0	38.00
60	62.0	58.00



TITLE .079"(2.0mm) Wire to Board Horizontal Wafer

.x ±0.30 x° ±2°
 .xx ±0.20 DIMENSION
 .xxx ±0.10 TOLERANCE

P/N	W211H**T00	CHECKED	David	UNIT	mm	DATE	2013/10/20
DRAWN	Michael	APPROVED	Lily	SCALE	1:1	REV	A



RoHS Compliant

@ <http://www.cnj.tw/>