

☆☆☆ 209 Series ☆☆☆

P/N: H209S**000

Material: Nylon 6/6, UL 94V-0, Natural

Available: 2~15P

Mate with W209

Current Rating: 3A AC/DC at AWG#22

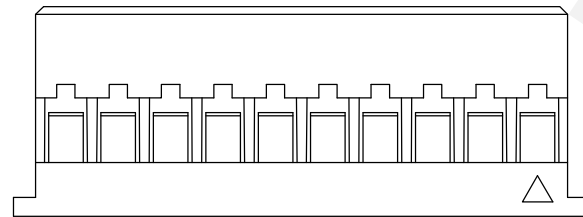
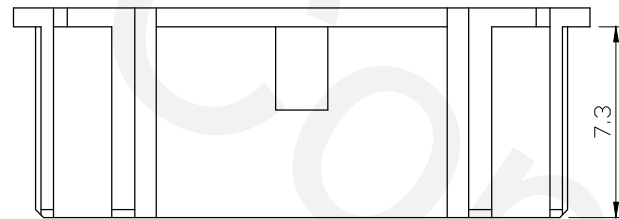
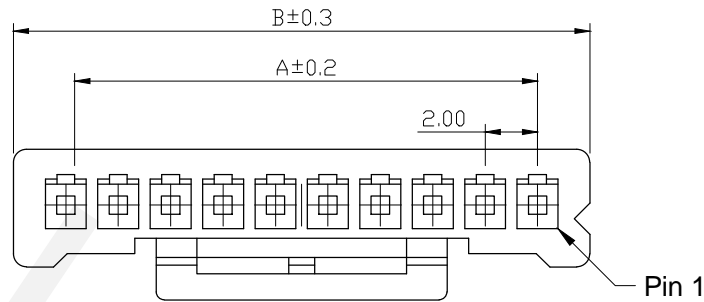
Voltage Rating: 250V AC/DC

Contact Resistance: 20mΩ Max.

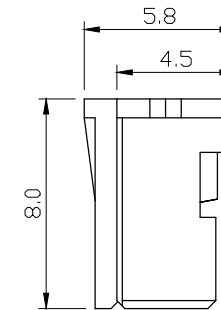
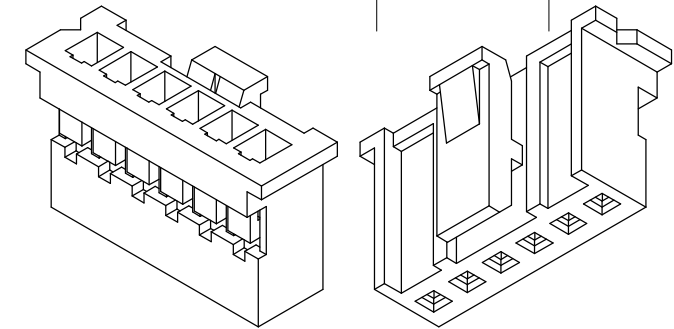
Insulation Resistance: 1000MΩ Min.

Withstanding Voltage: 800V AC/minute

Temperature Range: -25°C~85°C



REVISIONS			
REV	DESCRIPTION	DATE	DRAWN
A			



Circuitis	Dim. A	Dim. B
2	2.00	6.00
3	4.00	8.00
4	6.00	10.00
5	8.00	12.00
6	10.00	14.00
7	12.00	16.00
8	14.00	18.00
9	16.00	20.00
10	18.00	22.00
11	20.00	24.00
12	22.00	26.00
13	24.00	28.00
14	26.00	30.00
15	28.00	32.00

RoHS Compliant



TEL: 886-2-86871898 FAX: 886-2-86872959
 Mail: tceldh@gmail.com Web: http://www.cnj.tw/

TITLE

.079"(2.0mm) Wire to Board Standard Housing

DIMENSION TOLERANCE

.x ±0.30 x° ±2°
 .xx ±0.20
 .xxx ±0.10

P/N	H209S**000	CHECKED	David	UNIT	mm	DATE	2010/11/03
DRAWN	Michael	APPROVED	Lily	SCALE	1:1	REV	A

A

B

C

D

E

F

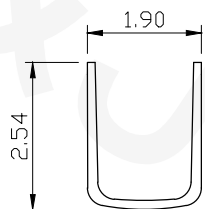
☆☆☆ 208 Series ☆☆☆

P/N: T208P00T00

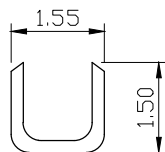
Conductor: Phosphor Bronze/ Tin-Plated

Thickness: 0.2mm

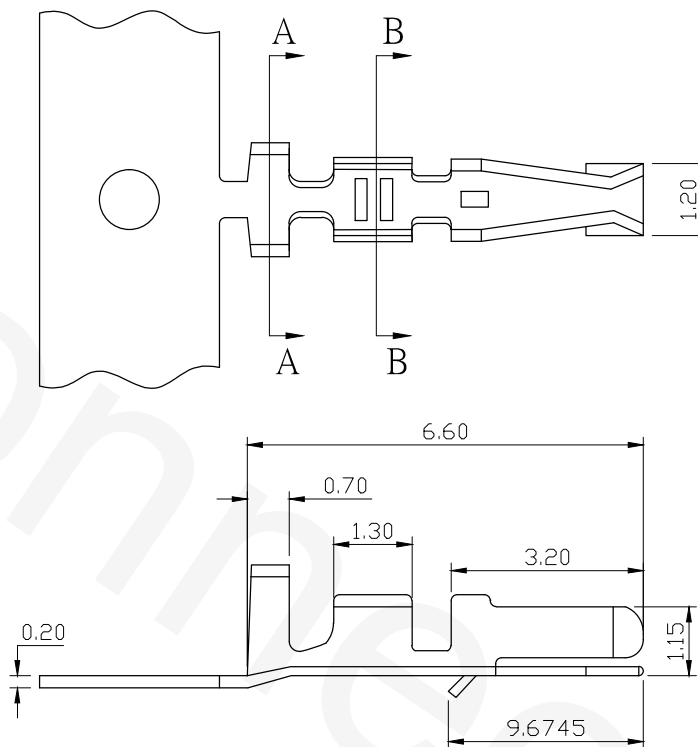
REVISIONS			
REV	DESCRIPTION	DATE	DRAWN
A			



Section A-A



Section B-B



RoHS Compliant



C&J Connector

TEL: 886-2-86871898 FAX: 886-2-86872959
 Mail: tceldh@gmail.com Web: http://www.cnj.tw/

TITLE

.079"(2.0mm) Crimp Terminal

DIMENSION TOLERANCE

.x ±0.30 x° ±2°

.xx ±0.20

.xxx ±0.10

P/N	T208P00T00	CHECKED	David	UNIT	mm	DATE	2010/08/04
DRAWN	Michael	APPROVED	Lily	SCALE	1:1	REV	A

A

B

C

D

E

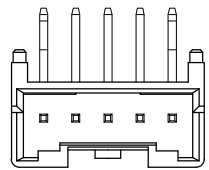
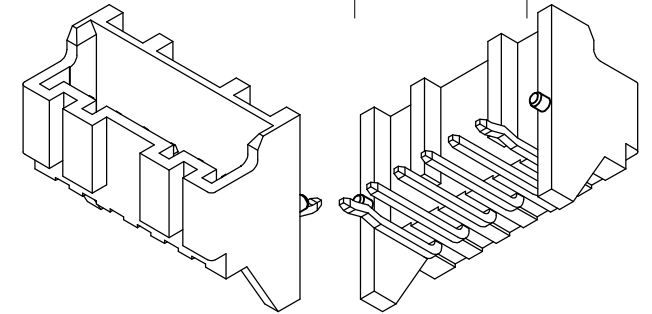
F

☆☆☆ 209 Series ☆☆☆

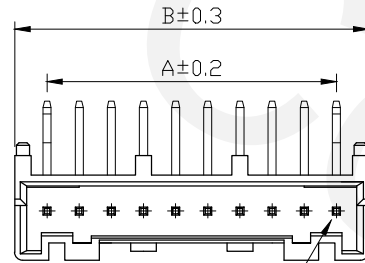
P/N: W209H**T00
 Material: Glass-filled PBT, UL 94V-0, White
 Conductor: Brass
 Available: 10~15 Pins
 Mate with H209

SPECIFICATIONS:
 Current Rating: 3A AC/DC (Max) AWG#22
 Voltage Rating: 250V AC/DC
 Contact Resistance: 20mΩ Max
 Insulation Resistance: 1000mΩ Min
 Withstand Voltage: 800V AC/Minute
 Pin Material: Brass / Tin-Plated / Gold-Flash
 Temperature Range: -25°C ~ +85 °C

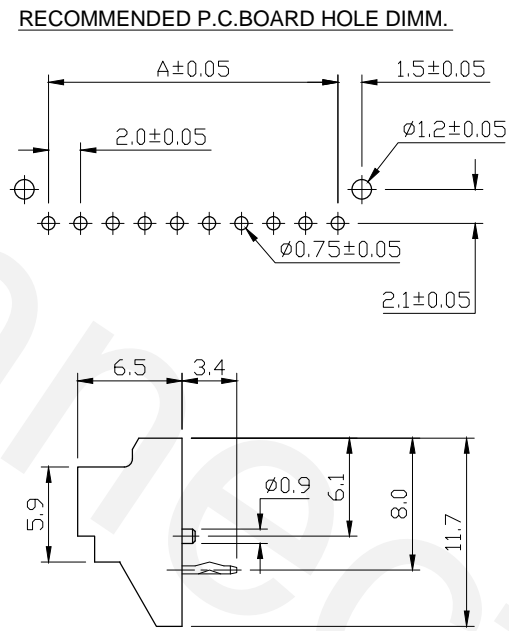
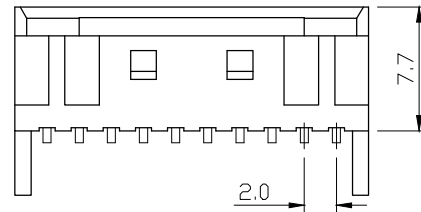
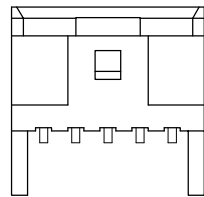
REVISIONS			
REV	DESCRIPTION	DATE	DRAWN
A			



2~9P



Circuit No.1
 10~15P



Circuitis	Dim. A	Dim. B
2	2.00	6.00
3	4.00	8.00
4	6.00	10.00
5	8.00	12.00
6	10.00	14.00
7	12.00	16.00
8	14.00	18.00
9	16.00	20.00
10	18.00	22.00
11	20.00	24.00
12	22.00	26.00
13	24.00	28.00
14	26.00	30.00
15	28.00	32.00

RoHS Compliant



TEL: 886-2-86871898 FAX: 886-2-86872959
 Mail: tceldh@gmail.com Web: http://www.cnj.tw/

TITLE

.079"(2.0mm) Wire to Board Horizontal Wafer

DIMENSION TOLERANCE

.x ±0.30 x° ±2°
 .xx ±0.20
 .xxx ±0.10

P/N	W209H**T00	CHECKED	David	UNIT	mm	DATE	2010/10/25
DRAWN	Michael	APPROVED	Lily	SCALE	1:1	REV	A

☆☆☆ 209 Series ☆☆☆

P/N: W209H**TRS

Material: Nylon 6T, UL 94V-0, Natural

Conductor: Brass, Tin-Plated/Gold-Flash

Solder Tab: Brass, Tin-Plated

Available: 2~15P

Mate with H209

Current Rating: 3A AC/DC

Voltage Rating: 250V AC/DC

Contact Resistance: 20mΩ Max.

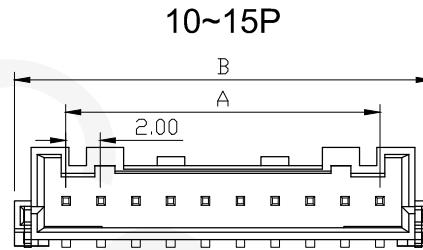
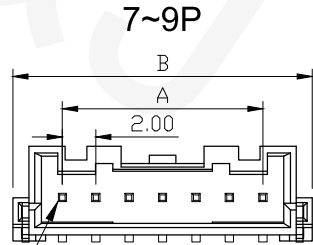
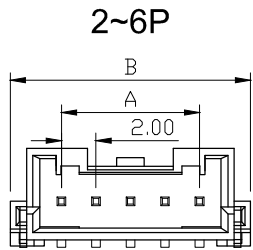
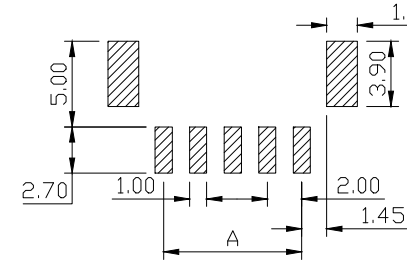
Insulation Resistance: 1000MΩ Min.

Withstanding Voltage: 800V AC/minute

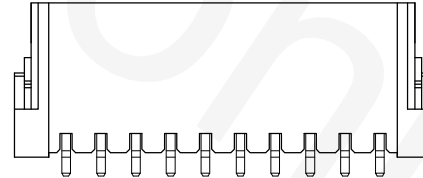
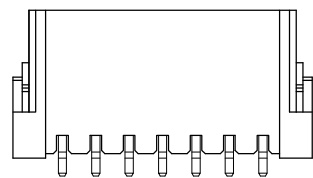
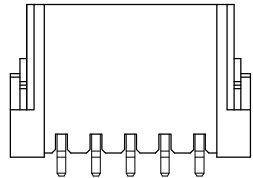
Operating Temperature: -25°C ~ 85°C

REVISIONS			
REV	DESCRIPTION	DATE	DRAWN
A			

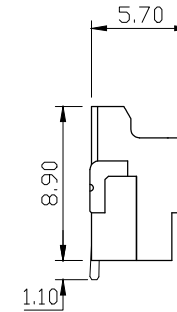
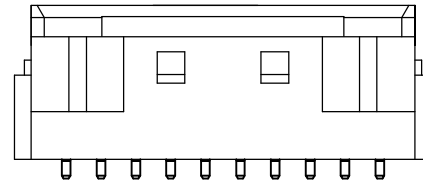
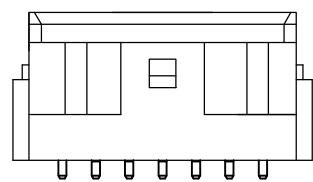
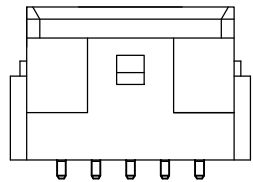
RECOMMENDED P.C.BOARD HOLE DIMM.



Pin 1



0.50



Circuitis	Dim. A	Dim. B
2	2.00	8.00
3	4.00	10.00
4	6.00	12.00
5	8.00	14.00
6	10.00	16.00
7	12.00	18.00
8	14.00	20.00
9	16.00	22.00
10	18.00	24.00
11	20.00	26.00
12	22.00	28.00
13	24.00	30.00
14	26.00	32.00
15	28.00	34.00

RoHS Compliant



TEL: 886-2-86871898 FAX: 886-2-86872959
Mail: tceldh@gmail.com Web: http://www.cnj.tw/

TITLE
.079"(2.0mm) Wire to Board SMT Horizontal Wafer

DIMENSION TOLERANCE
.x ±0.30 x° ±2°
.xx ±0.20
.xxx ±0.10

P/N	W209H**TRS	CHECKED	David	UNIT	mm	DATE	2011/03/18
DRAWN	Michael	APPROVED	Lily	SCALE	1:1	REV	A

☆☆☆ 290 Series ☆☆☆

P/N: W209V**TRS

Material: Nylon 6T, UL 94V-0, Natural

Conductor: Brass, Tin-Plated/Gold-Flash

Available: 2~15 Pins

Mate with H209

Current Rating: 3A AC/DC (Max) AWG#22

Voltage Rating: 250V AC/DC

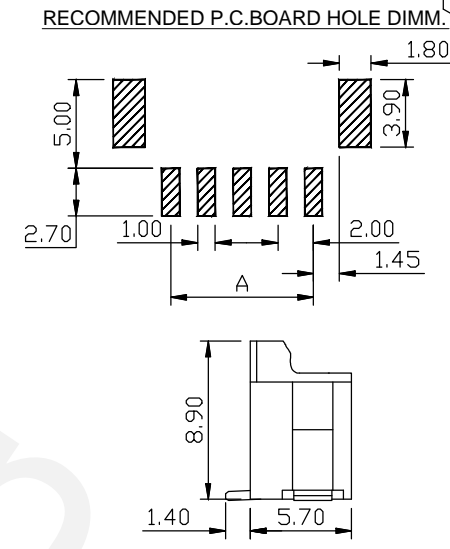
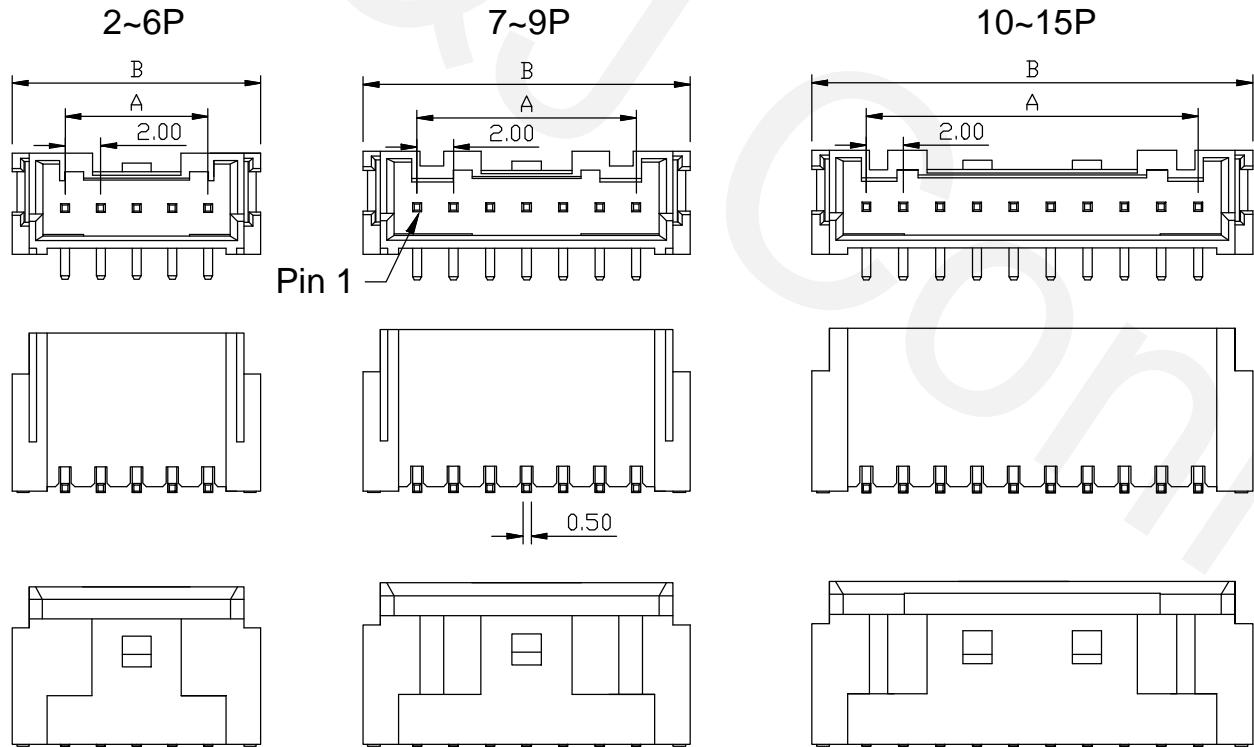
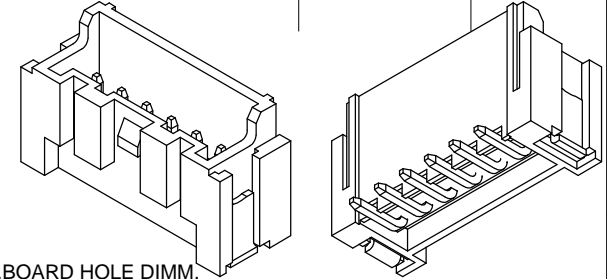
Contact Resistance: 20mΩ Max.

Insulation Resistance: 1000MΩ Min.

Withstand Voltage: 800V AC/minute

Temperature Range: -25°C~85°C

REVISIONS			
REV	DESCRIPTION	DATE	DRAWN
A			



Circuitis	Dim. A	Dim. B
2	2.00	8.00
3	4.00	10.00
4	6.00	12.00
5	8.00	14.00
6	10.00	16.00
7	12.00	18.00
8	14.00	20.00
9	16.00	22.00
10	18.00	24.00
11	20.00	26.00
12	22.00	28.00
13	24.00	30.00
14	26.00	32.00
15	28.00	34.00

RoHS Compliant



TEL: 886-2-86871898 FAX: 886-2-86872959
Mail: tceldh@gmail.com Web: http://www.cnj.tw/

TITLE
.079"(2.0mm) Wire to Board Vertical Wafer with Column

DIMENSION TOLERANCE
.x ±0.30 x° ±2°
.xx ±0.20
.xxx ±0.10

P/N	W209V**TRS	CHECKED	David	UNIT	mm	DATE	2010/11/12
DRAWN	Michael	APPROVED	Lily	SCALE	1:1	REV	A