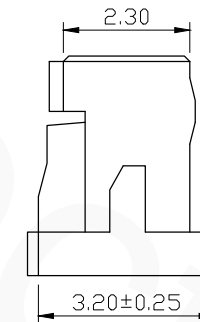
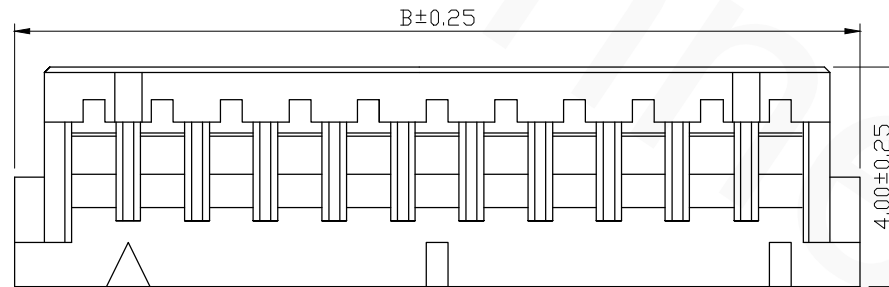
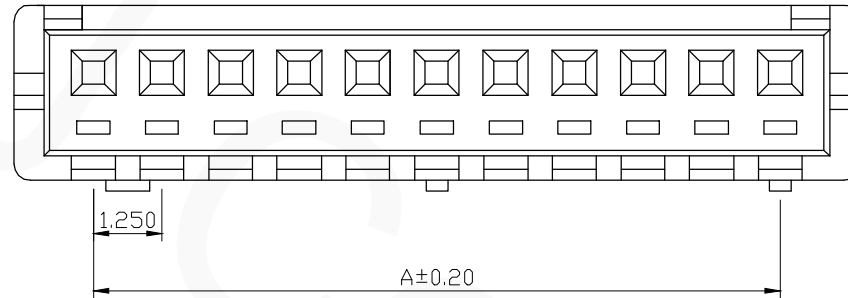


☆☆☆ 126 Series ☆☆☆

P/N: H126S\*\*000  
 Material: Nylon 6/6, UL 94V-0  
 Available: 2~15P  
 Mate with T126

Current Rating: 1A AC/DC  
 Voltage Rating: 100V AC/DC  
 Contact Resistance: 20mΩ Max.  
 Insulation Resistance: 500MΩ Min.  
 Withstanding Voltage: 500V AC/minute  
 Operating Temperature: -25°C~85°C



REVISIONS			
REV	DESCRIPTION	DATE	DRAWN
A			

Circuitis	Dim. A	Dim. B
2	1.25	4.15
3	2.50	5.40
4	3.75	6.65
5	5.00	7.90
6	6.24	9.15
7	7.49	10.40
8	8.74	11.65
9	9.99	12.90
10	11.24	14.15
11	12.48	15.40
12	13.73	16.65
13	14.98	17.90
14	16.23	19.15
15	17.48	20.40

RoHS Compliant



TEL: 886-2-86871898 FAX: 886-2-86872959  
 Mail: tceldh@gmail.com Web: http://www.cnj.tw/

TITLE  
 .049"(1.25mm) Wire to Board Standard Housing

DIMENSION TOLERANCE  
 .x ±0.30 x° ±2°  
 .xx ±0.20  
 .xxx ±0.10

P/N	H126S**000	CHECKED	David	UNIT	mm	DATE	2010/11/26
DRAWN	Michael	APPROVED	Lily	SCALE	1:1	REV	A

# ☆☆☆ 126 Series ☆☆☆

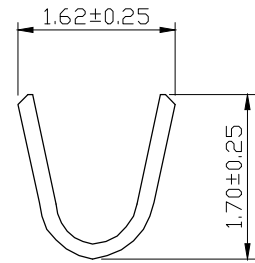
P/N: T126P00T0\*

Conductor: Phosphor Bronze, Tin-Plated/Mist Tin

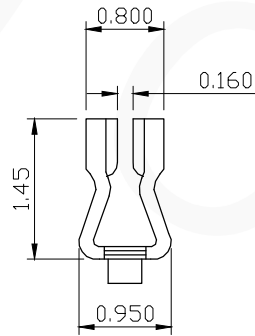
Thickness: 0.15mm

*	1	2
Plating	Tine-Plated	Mist Tin
Thickness	60u" Min.	60u" Min.

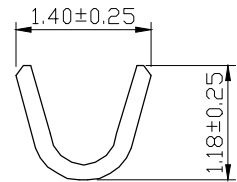
REVISIONS			
REV	DESCRIPTION	DATE	DRAWN
A			



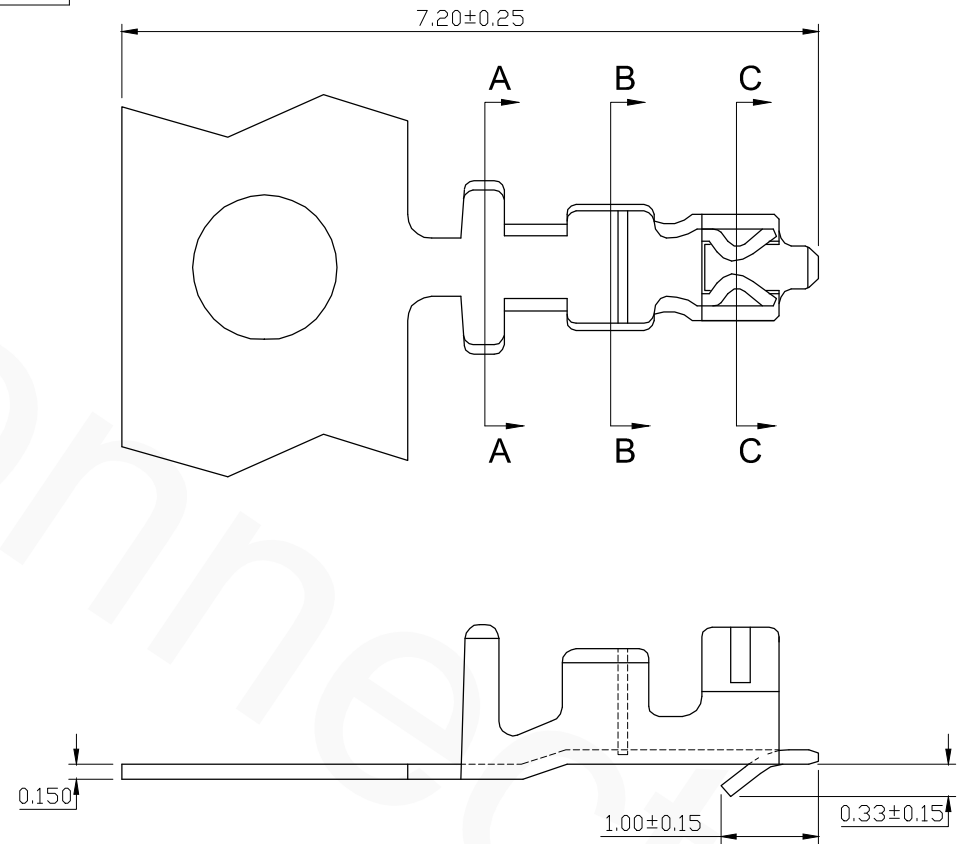
Section A-A



Section C-C



Section B-B



RoHS Compliant



TEL: 886-2-86871898 FAX: 886-2-86872959  
Mail: tceldh@gmail.com Web: http://www.cnj.tw/

TITLE

.049"(1.25mm) Crimp Terminal

DIMENSION TOLERANCE

.x ±0.30 x° ±2°  
.xx ±0.20  
.xxx ±0.10

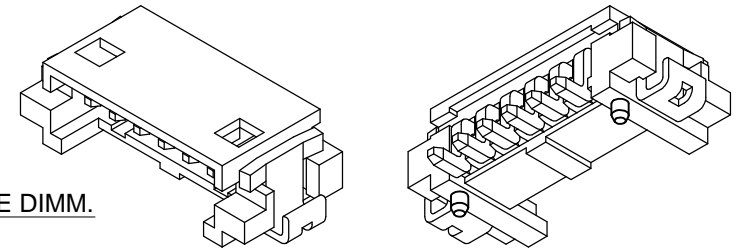
P/N	T126P00T0*	CHECKED	David	UNIT	mm	DATE	2010/08/03
DRAWN	Michael	APPROVED	Lily	SCALE	1:1	REV	A

# ☆☆☆ 126 Series ☆☆☆

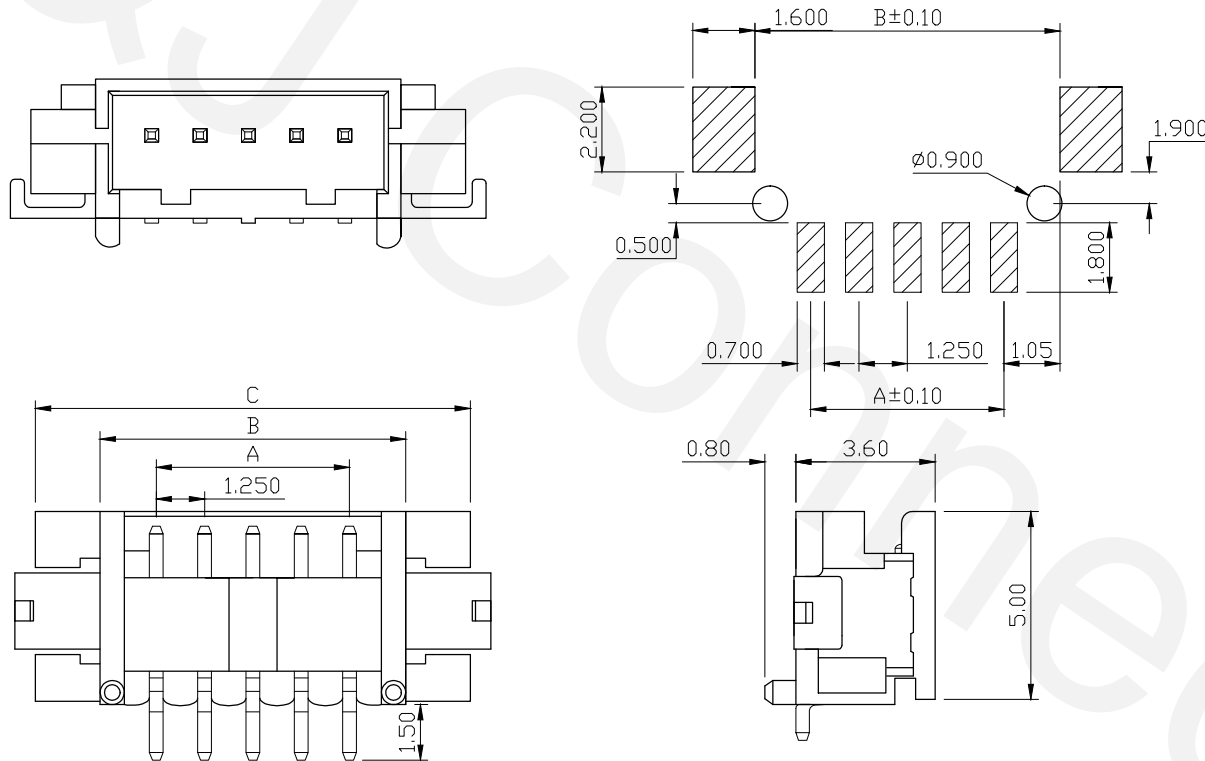
P/N: W126H\*\*T0S  
 Material: Nylon 6T, UL 94V-0, Natural  
 Conductor: Brass, Tin-Plated  
 Available: 2~15 Pins  
 Mate with H126

Current Rating: 1A AC/DC  
 Voltage Rating: 125V AC/DC  
 Contact Resistance: 20mΩ Max.  
 Insulation Resistance: 100MΩ Min.  
 Withstanding Voltage: 250V AC/minute  
 Operating Temperature Range: -25°C~85°C

REVISIONS			
REV	DESCRIPTION	DATE	DRAWN
A			



### RECOMMENDED P.C.BOARD HOLE DIMM.



Circuitis	Dim. A	Dim. B	Dim. C
2	1.25	4.15	6.25
3	2.50	5.40	7.50
4	3.75	6.65	8.75
5	5.00	7.90	10.00
6	6.25	9.15	11.25
7	7.50	10.40	12.50
8	8.75	11.65	13.75
9	10.00	12.90	15.00
10	11.25	14.15	16.25
11	12.50	15.40	17.50
12	13.75	16.65	18.75
13	15.00	17.90	20.00
14	16.25	19.15	21.25
15	17.50	20.40	22.50

RoHS Compliant



TEL: 886-2-86871898 FAX: 886-2-86872959  
 Mail: tceldh@gmail.com Web: http://www.cnj.tw/

TITLE  
 .049"(1.25mm) Wire to Board SMT Horizontal Wafer

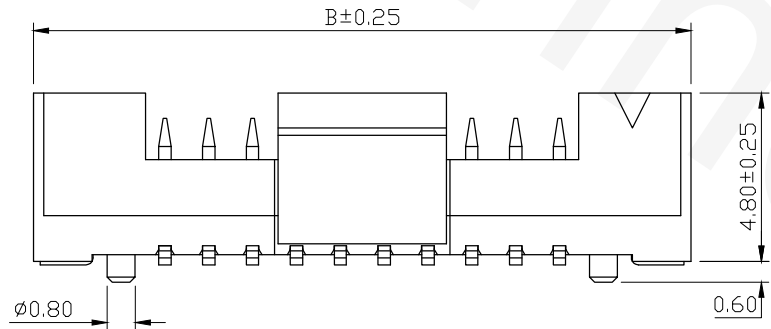
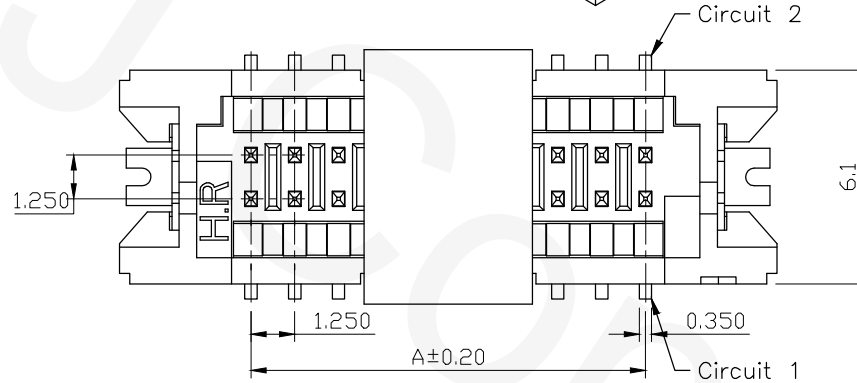
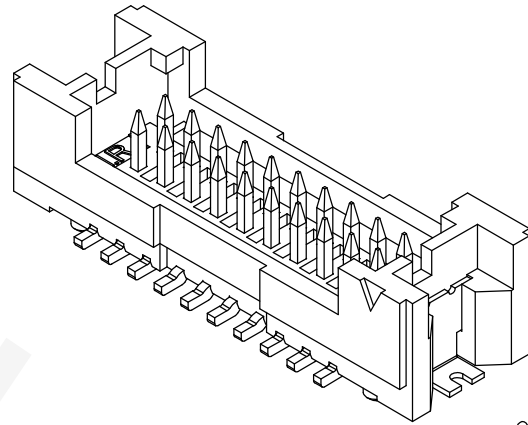
DIMENSION TOLERANCE	
.x	±0.30 x° ±2°
.xx	±0.20
.xxx	±0.10

P/N	W126H**T0S	CHECKED	David	UNIT	mm	DATE	2010/11/12
DRAWN	Michael	APPROVED	Lily	SCALE	1:1	REV	A

# ☆☆☆ 126 Series ☆☆☆

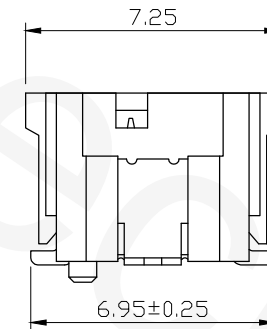
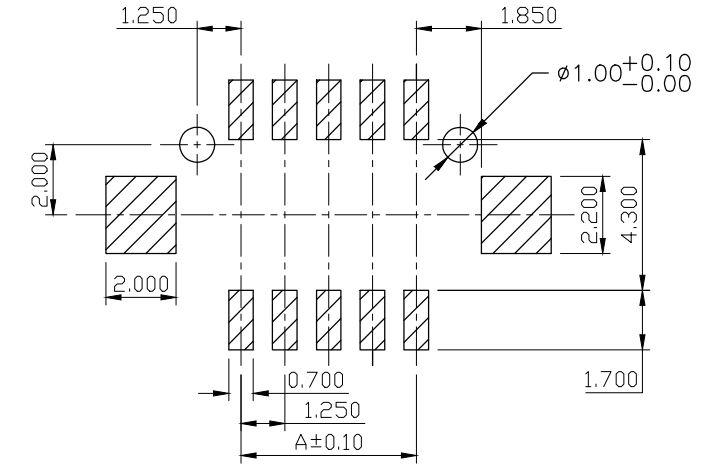
P/N: W126V\*\*G02  
 Material: Nylon 6T, UL 94V-0, Natural  
 Pin: Brass, Gold-Flash  
 Tabs: Brass, Tin-Plated  
 Available: 10~40P  
 Mate with H126

Voltage Rating: 150V AC/DC  
 Current Rating: 1A AC/DC  
 Withstanding Voltage: 500V AC/minute  
 Q ~ | a a } A U ^ a a } & A K E E T o A a E  
 O [ } a a U ^ a a } & A K E E T o A a E  
 U ] ^ a a } \* A ^ { ] ^ a a } & A K E E T o A a E



REVISIONS			
REV	DESCRIPTION	DATE	DRAWN
A			

### RECOMMENDED P.C. BOARD HOLE DIMM.



Circuitis	Dim. A	Dim. B
10	5.00	12.50
14	7.50	15.00
20	11.25	18.75
30	17.50	25.00
40	23.75	31.25

RoHS Compliant



TEL: 886-2-86871898 FAX: 886-2-86872959  
 Mail: tceldh@gmail.com Web: http://www.cnj.tw/

TITLE  
 .049"(1.25mm) Wire to Board Dual Row SMT Vertical Wafer

DIMENSION TOLERANCE	
.x	±0.10
.xx	±0.05
.xxx	±0.02

P/N	W126V**G02	CHECKED	David	UNIT	mm	DATE	2010/11/26
DRAWN	Michael	APPROVED	Lily	SCALE	1:1	REV	A

# ☆☆☆ 126 Series ☆☆☆

P/N: W126V\*\*T0S

Material: High Temperature Thermoplastic,  
UL 94V-0, Natural

Conductor: Brass, Tin-Plated

Available: 2~15 Pins

Mate with H126

Current Rating: 1A AC/DC

Voltage Rating: 125V AC/DC

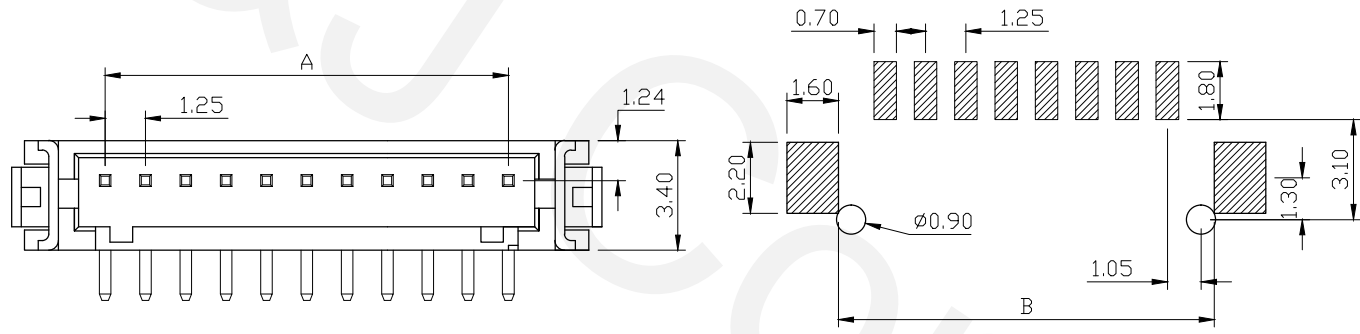
Contact Resistance: 20mΩ Max.

Insulation Resistance: 100MΩ Min.

Withstanding Voltage: 250V AC/minute

Operating Temperature Range: -25°C~85°C

REVISIONS			
REV	DESCRIPTION	DATE	DRAWN
A			



RECOMMENDED P.C.BOARD HOLE DIMM.

Circuitis	Dim. A	Dim. B	Dim. C
2	1.25	4.15	6.25
3	2.50	5.40	7.50
4	3.75	6.65	8.75
5	5.00	7.90	10.00
6	6.25	9.15	11.25
7	7.50	10.40	12.50
8	8.75	11.65	13.75
9	10.00	12.90	15.00
10	11.25	14.15	16.25
11	12.50	15.40	17.50
12	13.75	16.65	18.75
13	15.00	17.90	20.00
14	16.25	19.15	21.25
15	17.50	20.40	22.50

RoHS Compliant



TEL: 886-2-86871898 FAX: 886-2-86872959  
Mail: tceldh@gmail.com Web: http://www.cnj.tw/

TITLE  
.049"(1.25mm) Wire to Board SMT Vertical Wafer

DIMENSION TOLERANCE	
.x	±0.30 x° ±2°
.xx	±0.20
.xxx	±0.10

P/N	W126V**T0S	CHECKED	David	UNIT	mm	DATE	2010/11/12
DRAWN	Michael	APPROVED	Lily	SCALE	1:1	REV	A