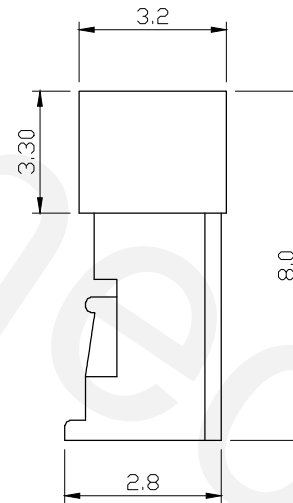
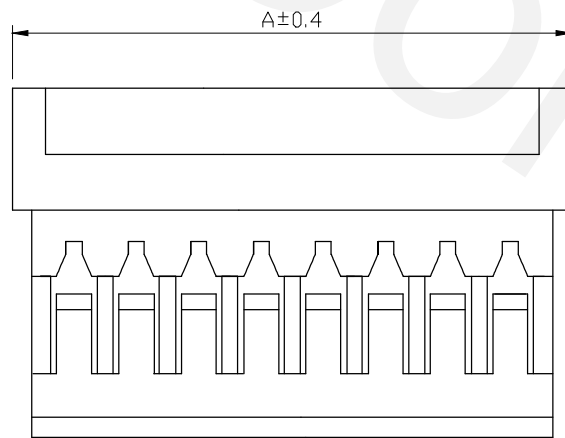
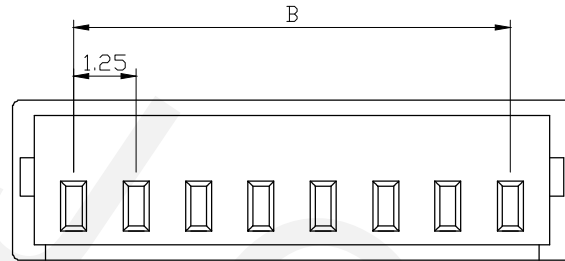


☆☆☆ 125 Series ☆☆☆

P/N: H125F**000
 Material: Nylon 6/6, UL 94V-0
 Available: 2~5P
 Mate with T125PM0
 Current Rating: 1A AC/DC
 Voltage Rating: 100V AC/DC
 Contact Resistance: 20mΩ Max.
 Insulation Resistance: 500MΩ Min.
 Withstanding Voltage: 500V AC/minute



Circuitis	Dim. A	Dim. B
2	4.25	1.25
3	5.50	2.50
4	6.75	3.75
5	8.00	5.00

REVISIONS			
REV	DESCRIPTION	DATE	DRAWN
A			

RoHS Compliant



TEL: 886-2-86871898 FAX: 886-2-86872959
 Mail: tceldh@gmail.com Web: http://www.cnj.tw/

TITLE

.049"(1.25mm) Wire to Wire Female Housing

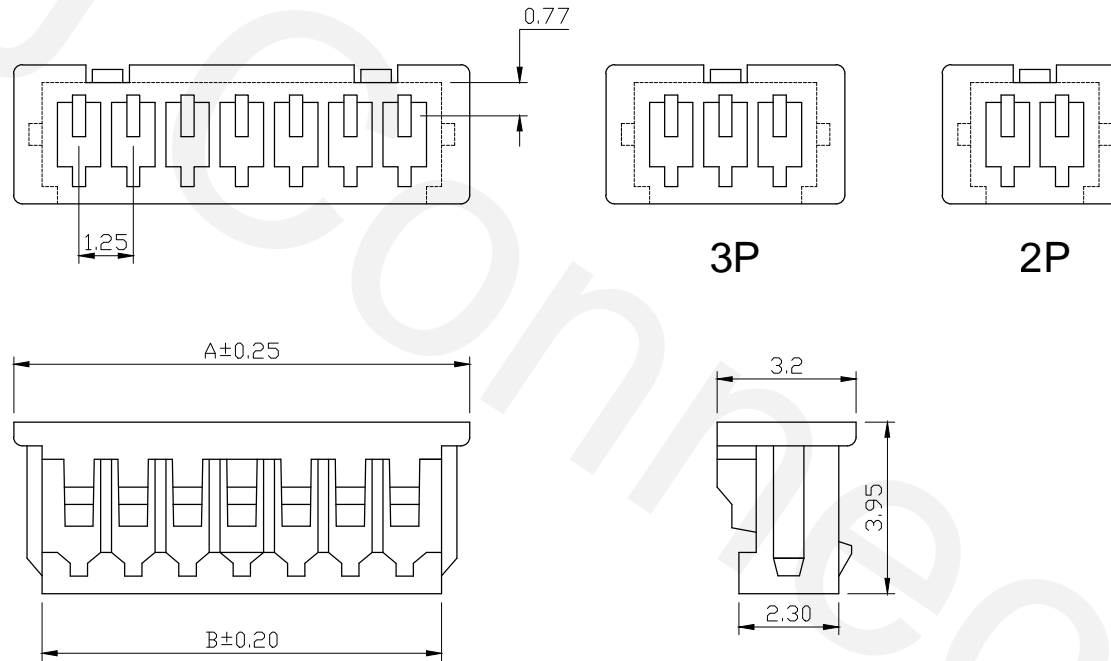
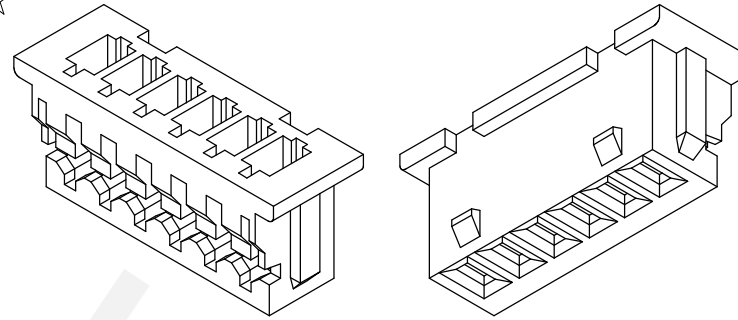
DIMENSION TOLERANCE

.x ±0.30 x° ±2°
 .xx ±0.20
 .xxx ±0.10

P/N	H125F**000	CHECKED	David	UNIT	mm	DATE	2010/08/03
DRAWN	Michael	APPROVED	Lily	SCALE	1:1	REV	A

☆☆☆ 125 Series ☆☆☆

P/N: H125S**000
 Material: Nylon 6/6, UL 94V-0, White
 Available: 2~15P
 Mate with W125
 Current Rating: 1A AC/DC
 Voltage Rating: 125V AC/DC
 Insulation Resistance: 100MΩ Min.
 Contact Resistance: 20mΩ Max.
 Dielectric Withstanding: 250V AC/minute
 Operating Temperature: -25°C ~ 85°C



3P

2P

REVISIONS			
REV	DESCRIPTION	DATE	DRAWN
A			

Circuitis	Dim. A	Dim. B
2	4.25	2.95
3	5.50	4.20
4	6.75	5.45
5	8.00	6.70
6	9.25	7.95
7	10.50	9.20
8	11.75	10.45
9	13.00	11.70
10	14.25	12.95
11	15.50	14.20
12	16.75	15.45
13	18.00	16.70
14	19.25	17.95
15	20.50	19.20

RoHS Compliant



TEL: 886-2-86871898 FAX: 886-2-86872959
 Mail: tceldh@gmail.com Web: http://www.cnj.tw/

TITLE

.049"(1.25mm) Wire to Board Housing

DIMENSION TOLERANCE

.x ±0.30 x° ±2°
 .xx ±0.20
 .xxx ±0.10

P/N	H125S**000	CHECKED	David	UNIT	mm	DATE	2010/08/03
DRAWN	Michael	APPROVED	Lily	SCALE	1:1	REV	A

☆☆☆ 125 Series ☆☆☆

P/N: T125P00T00

Conductor: Phosphor Bronze/ Tin-Plated

Thickness: 0.15mm

Wire Range: AWG #28~32

Current Rating: 1A AC/DC

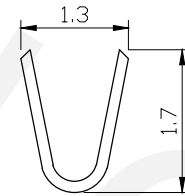
Voltage Rating: 125V AC Max.

Insulation Resistance: 100MΩ Min.

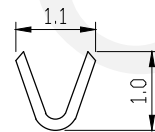
Dielectric Withstanding Voltage: 250V AC Min.

Contact Resistance: 20mΩ Max.

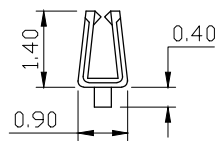
Operating Temperature Range: -25°C~85°C



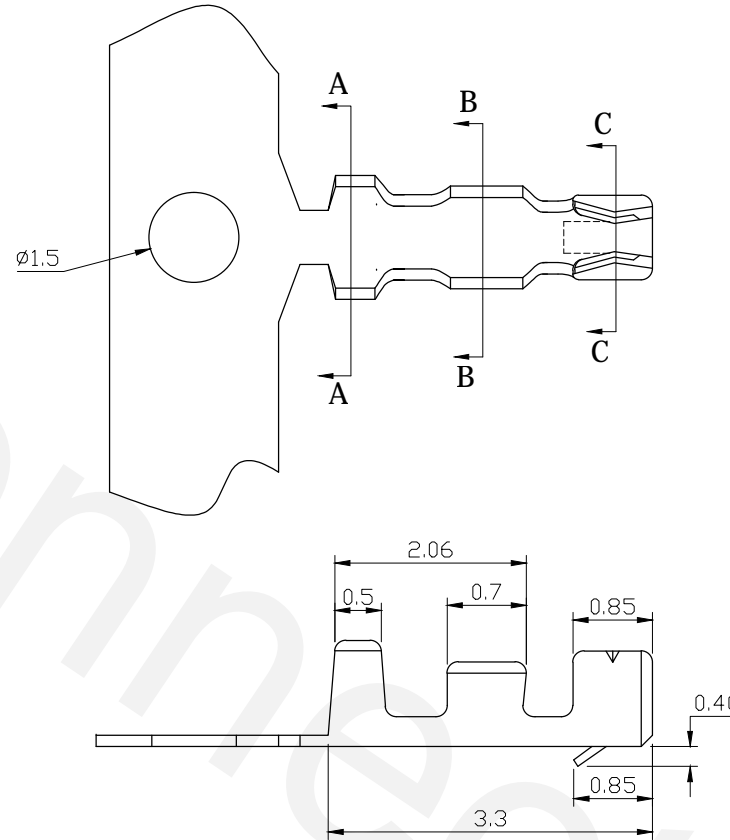
Section A-A



Section B-B



Section C-C



REVISIONS			
REV	DESCRIPTION	DATE	DRAWN
A			

RoHS Compliant



TEL: 886-2-86871898 FAX: 886-2-86872959
 Mail: tceldh@gmail.com Web: http://www.cnj.tw/

TITLE						DIMENSION TOLERANCE		
.049"(1.25mm) Crimp Terminal						.x ±0.30 x° ±2°		
						.xx ±0.20		
						.xxx ±0.10		
P/N	T125P00T00	CHECKED	David	UNIT	mm	DATE	2010/08/03	
DRAWN	Michael	APPROVED	Lily	SCALE	1:1	REV	A	

☆☆☆ 125 Series ☆☆☆

P/N: T125PM0T00

Material: Phosphor Bronze,

Tin-Plated

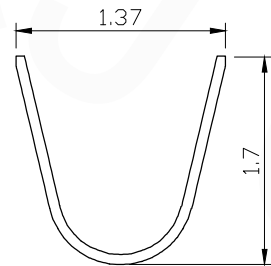
Thickness: 0.2mm

Wire Range: AWG#26~28

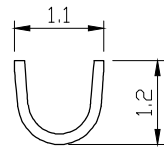
Mate with H125F**000

Current Rating: 1A AC/DC

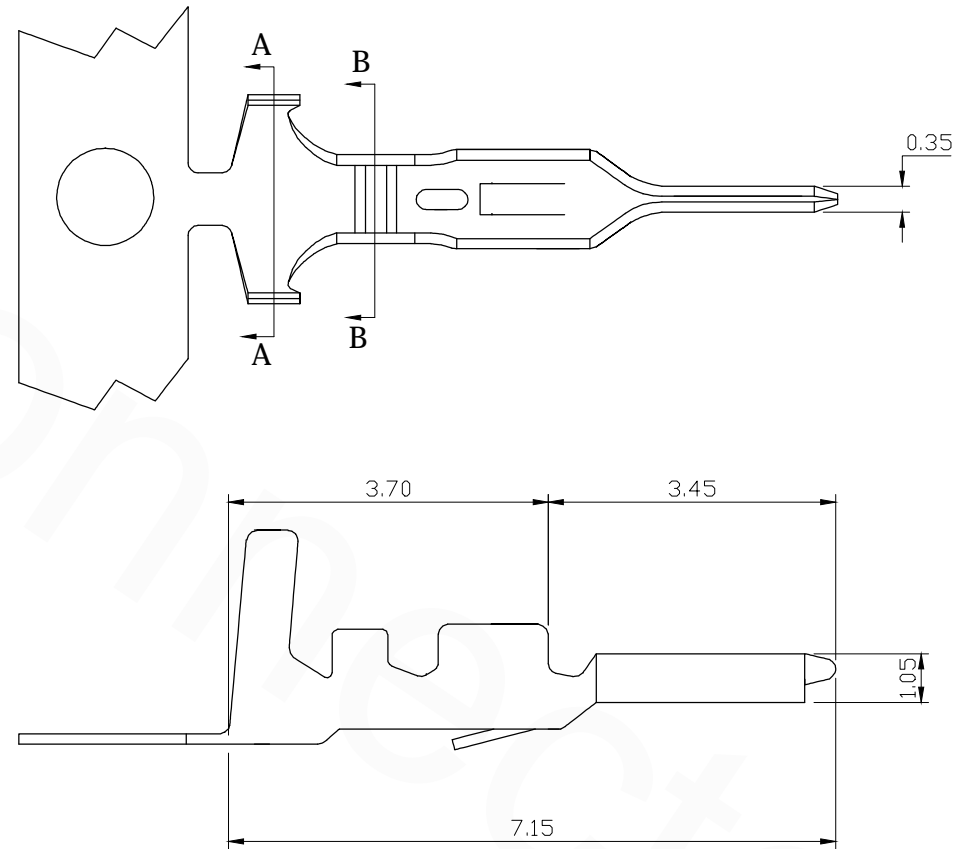
Voltage Rating: 125V AC/DC



Section A-A



Section B-B



REVISIONS			
REV	DESCRIPTION	DATE	DRAWN
A			

RoHS Compliant



TEL: 886-2-86871898 FAX: 886-2-86872959
 Mail: tceldh@gmail.com Web: http://www.cnj.tw/

TITLE

.049"(1.25mm) Wire to Wire Housing

DIMENSION TOLERANCE

.x ±0.10
 .xx ±0.05
 .xxx ±0.02

P/N	T125PM0T00	CHECKED	David	UNIT	mm	DATE	2010/08/03
DRAWN	Michael	APPROVED	Lily	SCALE	1:1	REV	A

☆☆☆ 125 Series ☆☆☆

P/N: W125H**G0S

Material: High Temperature Thermoplastic, UL 94V-0, Natural

Terminal: Phosphor Bronze, Gold-Flash Plated

Ground Lug: Brass, Tin-Plated

Available: 2~15P

Mate with H125

Current Rating: 1A AC/DC

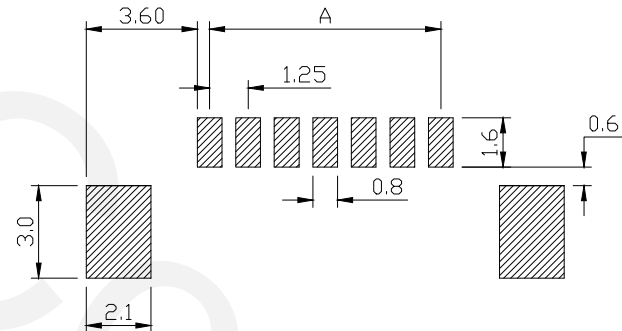
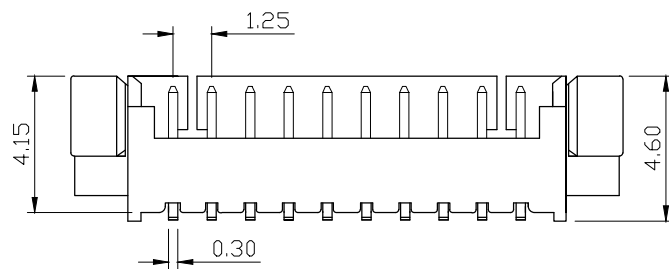
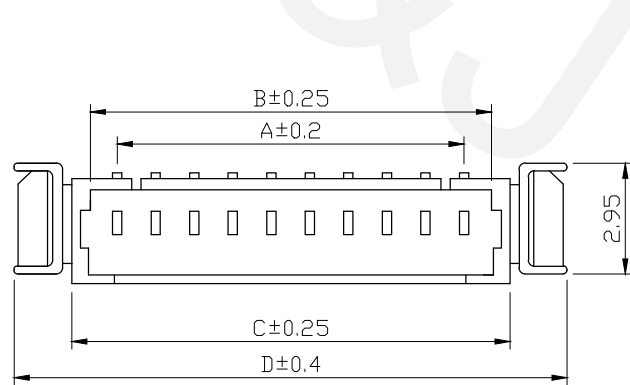
Voltage Rating: 100V AC/DC

Contact Resistance: 20mΩ Max.

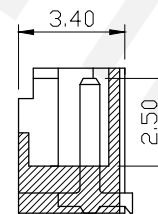
Insulation Resistance: 500MΩ Min.

Withstanding Voltage: 500V AC/minute

REVISIONS			
REV	DESCRIPTION	DATE	DRAWN
A			



RECOMMENDED P.C.BOARD HOLE DIMM.



Circuitis	Dim. A	Dim. B	Dim. C	Dim. D
2	1.25	3.05	4.25	7.65
3	2.50	4.30	5.50	8.90
4	3.75	5.55	6.75	10.15
5	5.00	6.80	8.00	11.40
6	6.25	8.05	9.25	12.65
7	7.50	9.30	10.50	13.90
8	8.75	10.55	11.75	15.15
9	10.00	11.80	13.00	16.40
10	11.25	13.05	14.25	17.65
11	12.50	14.30	15.50	18.90
12	13.75	15.55	16.75	20.15
13	15.00	16.80	18.00	21.40
14	16.25	18.05	19.25	22.65
15	17.50	19.30	20.50	23.90

RoHS Compliant



TEL: 886-2-86871898 FAX: 886-2-86872959
 Mail: tceldh@gmail.com Web: http://www.cnj.tw/

TITLE
 .049"(1.25mm) Wire to Board Horizontal SMT Wafer

DIMENSION TOLERANCE
 .x ±0.30 x° ±2°
 .xx ±0.20
 .xxx ±0.10

P/N	W125H**G0S	CHECKED	David	UNIT	mm	DATE	2013/01/24
DRAWN	Michael	APPROVED	Lily	SCALE	1:1	REV	A

☆☆☆ 125 Series ☆☆☆

P/N: W125H**T0D

Material: High Temperature Thermoplastic,
UL 94V-0, Natural

Conductor: Brass, Tin-Plated

Available: 2~15P

Mate with H125

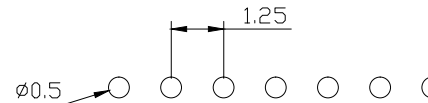
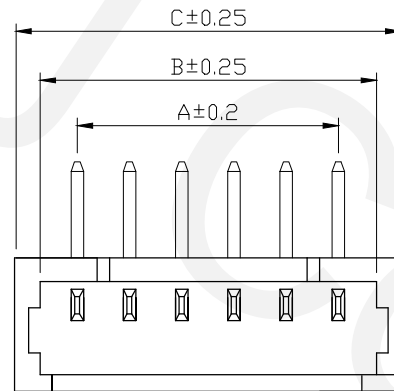
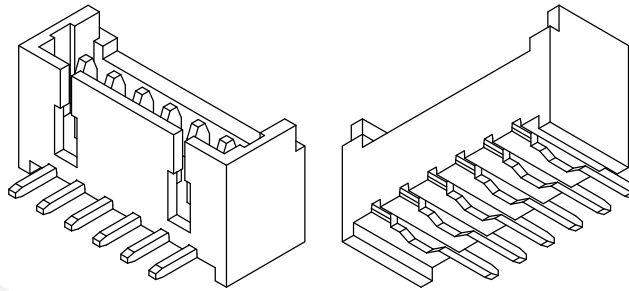
Current Rating: 1A AC/DC

Voltage Rating: 100V AC/DC

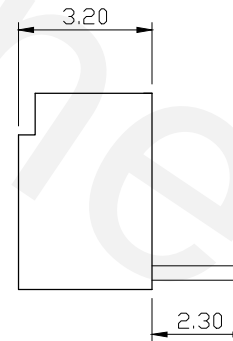
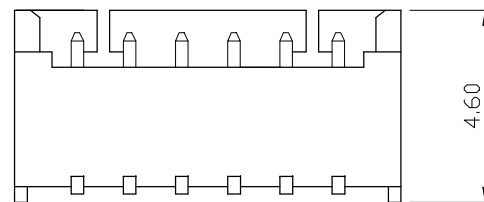
Contact Resistance: 20mΩ Max.

Insulation Resistance: 500MΩ Min.

Withstanding Voltage: 500V AC/minute



RECOMMENDED P.C.BOARD HOLE DIMM.



REVISIONS

REV	DESCRIPTION	DATE	DRAWN
A			

Circuitis	Dim. A	Dim. B	Dim. C
2	1.25	3.15	4.25
3	2.50	4.40	5.50
4	3.75	5.65	6.75
5	5.00	6.90	8.00
6	6.25	8.15	9.25
7	7.50	9.40	10.50
8	8.75	10.65	11.75
9	10.00	11.90	13.00
10	11.25	13.15	14.25
11	12.50	14.40	15.50
12	13.75	15.65	16.75
13	15.00	16.90	18.00
14	16.25	18.15	19.25
15	17.50	19.40	20.50

RoHS Compliant



TEL: 886-2-86871898 FAX: 886-2-86872959
Mail: tceldh@gmail.com Web: http://www.cnj.tw/

TITLE

.049"(1.25mm) Wire to Board Horizontal Wafer

DIMENSION TOLERANCE

.x ±0.30 x° ±2°
.xx ±0.20
.xxx ±0.10

P/N	W125H**T0D	CHECKED	David	UNIT	mm	DATE	2010/08/13
DRAWN	Michael	APPROVED	Lily	SCALE	1:1	REV	A

☆☆☆ 125 Series ☆☆☆

P/N: W125H**T0S

Material: High Temperature Thermoplastic, UL 94V-0, Natural

Conductor: Brass, Tin-Plated

Available: 2~15P

Mate with H125

Current Rating: 1A AC/DC

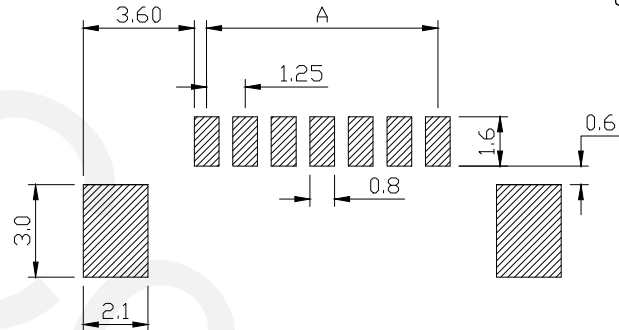
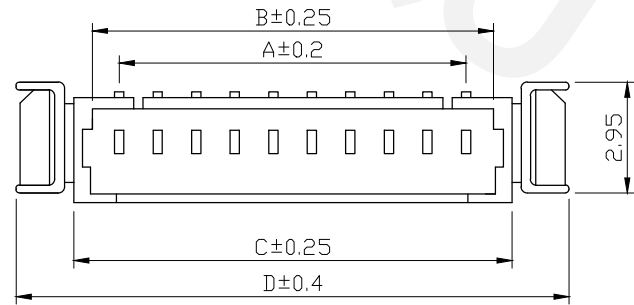
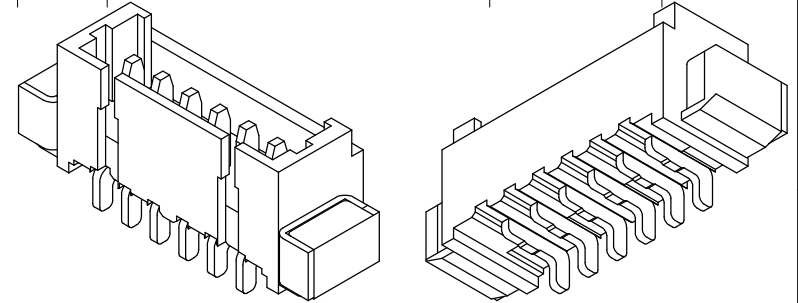
Voltage Rating: 100V AC/DC

Contact Resistance: 20mΩ Max.

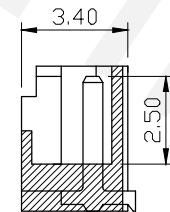
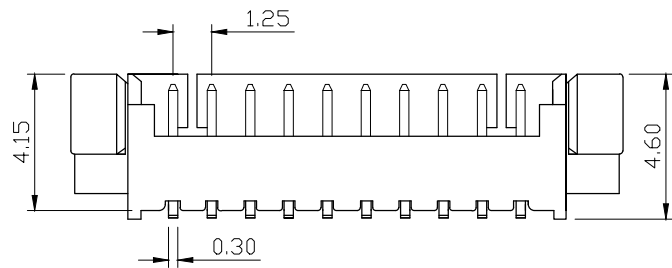
Insulation Resistance: 500MΩ Min.

Withstanding Voltage: 500V AC/minute

REVISIONS			
REV	DESCRIPTION	DATE	DRAWN
A			



RECOMMENDED P.C.BOARD HOLE DIMM.



Circuitis	Dim. A	Dim. B	Dim. C	Dim. D
2	1.25	3.05	4.25	7.65
3	2.50	4.30	5.50	8.90
4	3.75	5.55	6.75	10.15
5	5.00	6.80	8.00	11.40
6	6.25	8.05	9.25	12.65
7	7.50	9.30	10.50	13.90
8	8.75	10.55	11.75	15.15
9	10.00	11.80	13.00	16.40
10	11.25	13.05	14.25	17.65
11	12.50	14.30	15.50	18.90
12	13.75	15.55	16.75	20.15
13	15.00	16.80	18.00	21.40
14	16.25	18.05	19.25	22.65
15	17.50	19.30	20.50	23.90

RoHS Compliant



TEL: 886-2-86871898 FAX: 886-2-86872959
 Mail: tceldh@gmail.com Web: http://www.cnj.tw/

TITLE
 .049"(1.25mm) Wire to Board Horizontal SMT Wafer

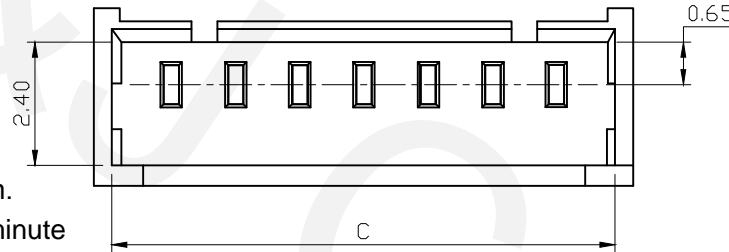
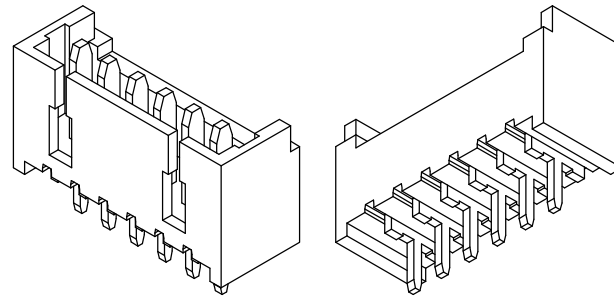
DIMENSION TOLERANCE	
.x	±0.30 x° ±2°
.xx	±0.20
.xxx	±0.10

P/N	W125H**T0S	CHECKED	David	UNIT	mm	DATE	2010/08/13
DRAWN	Michael	APPROVED	Lily	SCALE	1:1	REV	A

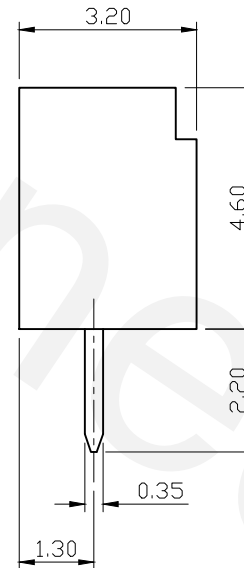
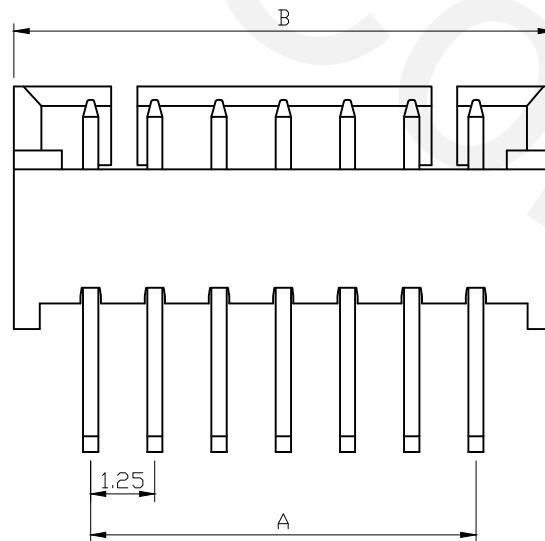
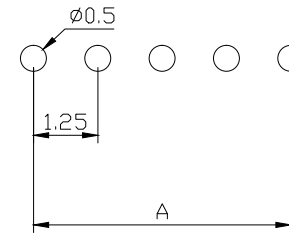
☆☆☆ 125 Series ☆☆☆

P/N: W125VxxT0D
 Material: Nylon 4/6, UL 94V-0, Natural
 Conductor: Brass, Tin-Plated
 Plating: Ni 30u" over Sn 80u"
 Available: 2~15P
 Mate with H125

Current Rating: 1A AC/DC
 Voltage Rating: 100V AC/DC
 Contact Resistance: 20mΩ Max.
 Insulation Resistance: 500MΩ Min.
 Withstanding Voltage: 500V AC/minute



RECOMMENDED P.C. BOARD HOLE DIMM.



REVISIONS			
REV	DESCRIPTION	DATE	DRAWN
A			

Circuitis	Dim. A	Dim. B	Dim. C
2	1.25	4.25	3.15
3	2.50	5.50	4.40
4	3.75	6.75	5.65
5	5.00	8.00	6.90
6	6.25	9.25	8.15
7	7.50	10.50	9.40
8	8.75	11.75	10.65
9	10.00	13.00	11.90
10	11.25	14.25	13.15
11	12.50	15.50	14.40
12	13.75	16.75	15.65
13	15.00	18.00	16.90
14	16.25	19.25	18.15
15	17.50	20.50	19.40

RoHS Compliant



TEL: 886-2-86871898 FAX: 886-2-86872959
 Mail: tceldh@gmail.com Web: http://www.cnj.tw/

TITLE

.049"(1.25mm) Wire to Board Vertical Wafer

DIMENSION TOLERANCE

.x ±0.30 x° ±2°
 .xx ±0.20
 .xxx ±0.10

P/N	W125VxxT0D	CHECKED	David	UNIT	mm	DATE	2011/03/11
DRAWN	Michael	APPROVED	Lily	SCALE	1:1	REV	A

☆☆☆ 125 Series ☆☆☆

P/N: W125V**T0S

Material: High Temperature Thermoplastic, UL 94V-0, Natural

Terminal: Phosphor Bronze, Tin-Plated

Ground Lug: Brass, Tin-Plated

Available: 2~15P

Mate with H125

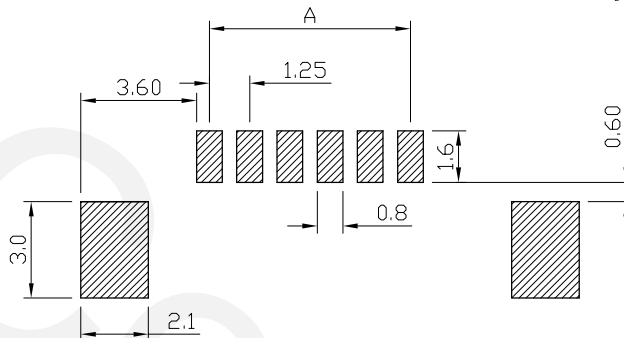
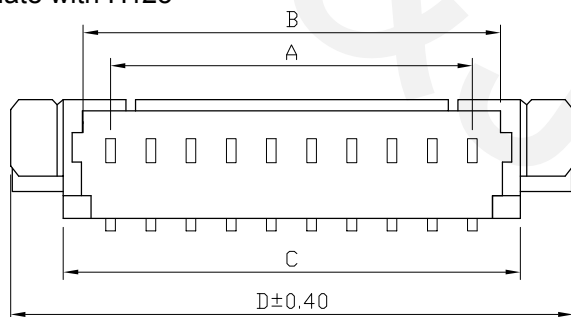
Current Rating: 1A AC/DC

Voltage Rating: 100V AC/DC

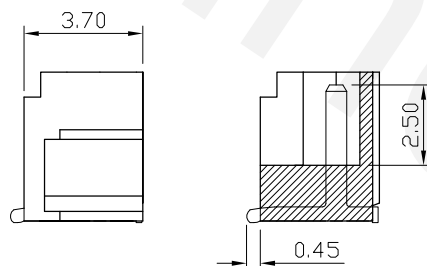
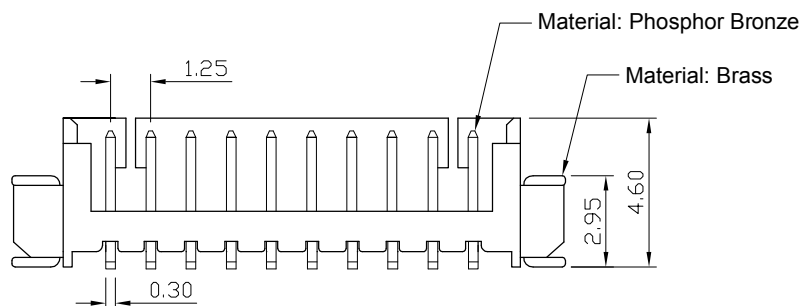
Contact Resistance: 20mΩ Max.

Insulation Resistance: 500MΩ Min.

Withstanding Voltage: 500V AC/minute

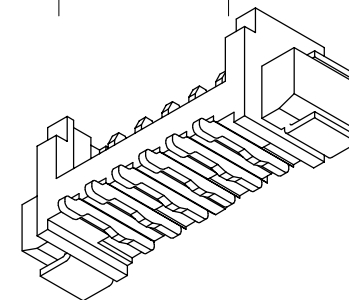
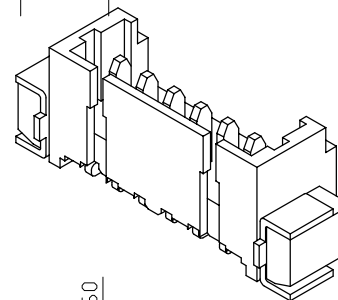


RECOMMENDED P.C.BOARD HOLE DIMM.



RoHS Compliant

REVISIONS			
REV	DESCRIPTION	DATE	DRAWN
A	Dimension Added	2013.11.06	Mike



Circuitis	Dim. A	Dim. B	Dim. C	Dim. D
2	1.25	3.05	4.25	7.65
3	2.50	4.30	5.50	8.90
4	3.75	5.55	6.75	10.15
5	5.00	6.80	8.00	11.40
6	6.25	8.05	9.25	12.65
7	7.50	9.30	10.50	13.90
8	8.75	10.55	11.75	15.15
9	10.00	11.80	13.00	16.40
10	11.25	13.05	14.25	17.65
11	12.50	14.30	15.50	18.90
12	13.75	15.55	16.75	20.15
13	15.00	16.80	18.00	21.40
14	16.25	18.05	19.25	22.65
15	17.50	19.30	20.50	23.90

 **C&J Connector**

TEL: 886-2-86871898 FAX: 886-2-86872959
Mail: tceldh@gmail.com Web: http://www.cnj.tw/

TITLE

.049"(1.25mm) Wire to Board SMT Wafer

DIMENSION TOLERANCE

.x ±0.30 x° ±2°
.xx ±0.20
.xxx ±0.10

P/N	W125V**T0S	CHECKED	David	UNIT	mm	DATE	2010/08/13
DRAWN	Michael	APPROVED	Lily	SCALE	1:1	REV	A